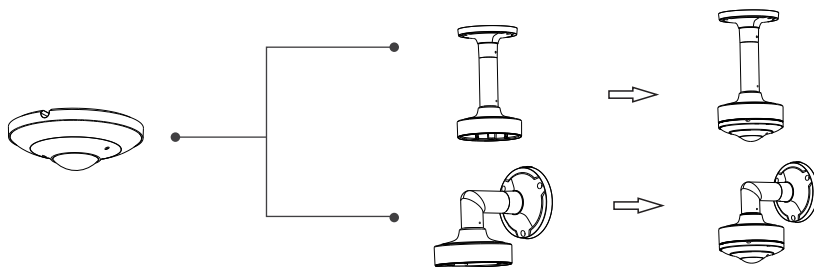


CAMERA BRACKET MOUNTING QUICK START GUIDE

Thank you for purchasing our product. This manual is applicable to the wall mounting bracket and the ceiling mounting bracket of the fisheye camera. All pictures in this manual are for reference only.

MOUNTING EXAMPLE

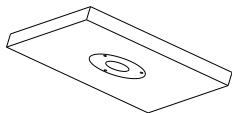


INSTALLATION

Before installation, please make sure the wall or ceiling is strong enough to withstand three times the weight of the camera and the bracket. Please install your camera and bracket in a dry environment. Here we will introduce the installation of the wall mounting bracket and the ceiling mounting bracket of the fisheye camera

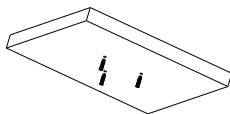
• CEILING MOUNTING

1



Attach the drill template to the place where you want to fix the bracket. Then drill the screw holes according to the drill template.

2



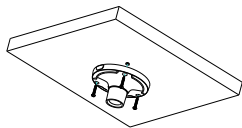
Tear off the drill template and insert the plastic plugs.

3



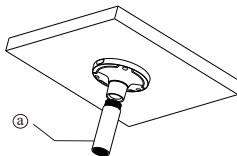
Install the sponge and the rubber plug respectively to the mounting base.

4



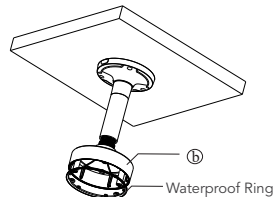
Fix the mounting base to the wall with the screws provided.

5

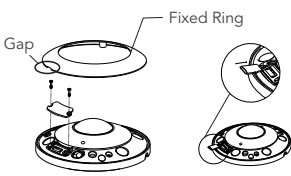
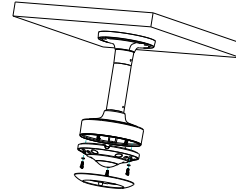
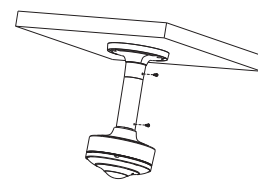


Install (a) to the mounting base according to the screw thread.


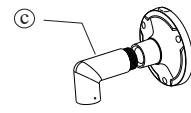
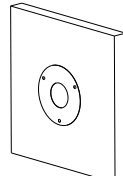
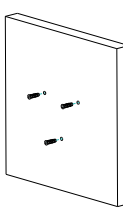
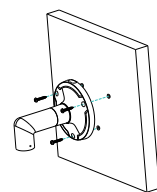
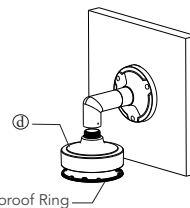
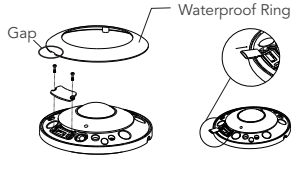
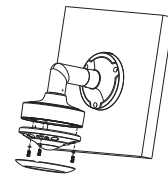
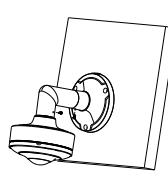
6



Mount the waterproof ring to (b) and screw (c) with the waterproof ring into (a).

<p>7</p>  <p>Remove the fixed ring from the gap of the camera and open the cover of the micro SD card slot. Insert the micro SD card.</p>	<p>8</p>  <p>Install the cover of micro SD card slot and fasten the camera on the the bracket with screws.</p>	<p>9</p>  <p>Install the fixed ring back to the camera and fix the bracket with screws.</p>
--	--	--

• WALL MOUNTING

<p>1</p>  <p>Install the sponge and the rubber plug respectively to the mounting base.</p>	<p>2</p>  <p>Install (C) to the mounting base according to the screw thread.</p>	<p>3</p>  <p>Attach the drill template to the place where you want to fix the bracket. Drill the screw holes according to the drill template.</p>
<p>4</p>  <p>Tear off the drill template and insert the plastic plugs.</p>	<p>5</p>  <p>Fix the mounting base to the wall with the screws provided.</p>	<p>6</p>  <p>Mount the waterproof ring to (D) and screw (D) with the waterproof ring into (C).</p>
<p>7</p>  <p>Remove the fixed ring from the gap of the camera and open the cover of the micro SD card slot. Insert a micro SD card.</p>	<p>8</p>  <p>Install the cover of micro SD card slot and fasten the camera onto the bracket with screws.</p>	<p>9</p>  <p>Install the fixed ring back to the camera and fix the bracket with screws.</p>