

AVC-VT92VLT

1080P HD-TVI IR VANDAL CAMERA

**HD-TVI
CAMERA**



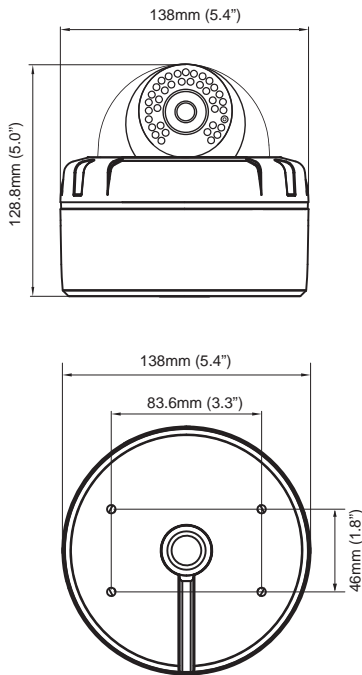
FUNCTION

- TVI SOLUTION
- 1/2.9" 2.1MEGAPIXEL SONY EXMOR CMOS
- FULL HD 1080P
- TRUE WIDE DYNAMIC RANGE (WDR 120dB)
- 2.8~12mm DC AUTO IRIS VARIFOCAL LENS (ICR)
- 36 IR LEDs
- 0.02Lux (SENS-UP X32)
- 3DNR (DIGITAL NOISE REDUCTION)
- ICR FILTER CHANGE FUNCTION
- BUILT IN OSD CONTROLLER & 2nd BNC CONNECTOR
- 3-AXIS BRACKET
- DC 12V / AC 24V DUAL VOLTAGE



DIMENSION

* Unit : mm (Inch)



SPECIFICATION

DESCRIPTION	NTSC	PAL
IMAGE SENSOR	1/2.9" 2.1MEGAPIXEL SONY EXMOR CMOS	
EFFECTIVE PIXEL	1920 (H) × 1080 (V) = 2.07M	
SCANNING SYSTEM	PROGRESSIVE	
SYNCHRONIZATION	INTERNAL	
HORIZONTAL RESOLUTION	1080P	
VIDEO OUTPUT	TVI, CVBS : 1.0Vpp, 75Ω COMPOSITE	
S/N (Y SIGNAL)	MORE THAN 52dB	
MIN. ILLUMINATION	0.02Lux (SENS-UP X32)	
IRIS ADJUSTMENT	ALC / ELC	
LENS	2.8~12mm DC AUTO IRIS VARIFOCAL LENS (ICR)	
ELECTRONIC SHUTTER	AUTO (1/30~1/60,000)	AUTO (1/25~1/60,000) FLK
OSD LANGUAGE	ENG / CHN / CHN[S] / JPN / KOR	
BACKLIGHT COMPENSATION	OFF / HLC / BLC / WDR	
DAY & NIGHT	COLOR / BW / EXTERN / AUTO	
D-WDR	OFF / LOW / MIDDLE / HIGH	
AUTO GAIN CONTROL	LEVEL (0~20) ADJUSTMENT	
WHITE BALANCE	AUTO / AUTODEXT / PRESET / MANUAL	
PRIVACY MASKING	ON / OFF (PROGRAMMABLE 16 ZONES)	
DNR	OFF / LOW / MIDDLE / HIGH	
SMART IR	ANTI-SET (0~20) ADJUSTMENT	
LSC	ON / OFF	
GAMMA	0.45 / 0.5 / 0.55 / 0.6 / 0.65	
DEFOG	ON / OFF	
DIGITAL ZOOM	ON / OFF (X1 ~ X8.0)	
DEAD PIXEL COMPENSATION	LIVE DPC / DPC SET	
SENS-UP	OFF / X2~X32	
MOTION	4 AREA	
DIGITAL EFFECT	OFF / V-FLIP / MIRROR / ROTATE	
COMMUNICATION	RS485 (OPTION)	
IR LED	36 PCS	
INPUT VOLTAGE	DC 12V / AC 24V DUAL VOLTAGE	
POWER CONSUMPTION	DC IR OFF : 200mA (MAX) / DC IR ON : 450mA (MAX) AC IR OFF : 190mA (MAX) / AC IR ON : 350mA (MAX)	
OPERATING TEMP. / HUM.	-30°C ~ 50°C (-22°F ~ 122°F) / MAX 90% RH	
STORAGE TEMP. / HUM.	-20°C ~ +60°C / MAX 90% RH	