

AVC-VP92VLT

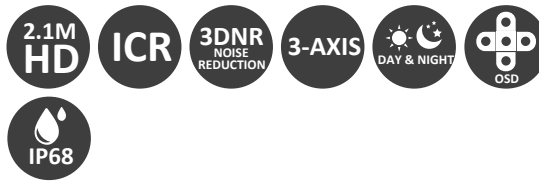
HD-SDI VARIFOCAL LENS IR VANDAL DOME CAMERA

HD-SDI
CAMERA



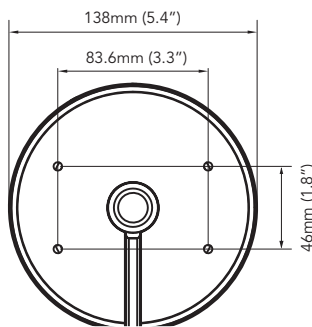
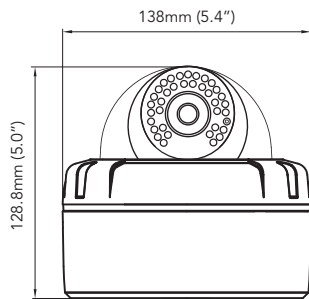
FUNCTIONS

- SDI Solution
- 1/2.9" 2.1Megapixel Sony Exmor CMOS
- HD SDI 1080P(30P) / 720P(30P) / 720 Crop(60P)
- 2.8 ~ 12mm DC Iris Megapixel Lens (ICR)
- 36 IR LEDs
- 0.02Lux (Sens-up x32)
- Built in OSD Controller & 2nd BNC Connector
- Digital Noise Reduction
- Multi Language
- IP68 (International Protection Rating)
- ICR Filter Change Function
- EX-SDI Ready (Up to 1200ft.)



DIMENSIONS

Unit : mm (inch)



SPECIFICATIONS

DESCRIPTION	NTSC	PAL
Image Sensor	1/2.9" 2.1Megapixel Sony Exmor CMOS	
Image Resolution	1920 × 1080	
Scanning System	Progressive	
Video Output	HD-SDI, CVBS : 1.0Vpp, 75Ω composite HD-SDI 1080P(30P) / 720P(30P) / 720 Crop(60P)	
S/N Ratio	More than 52dB	
Min. Illumination	0.02Lux (Sens-up x32)	
Lens	2.8 ~ 12mm Varifocal Mega Lens	
Iris Adjustment	ALC / ESC	
Electronic Shutter	Off / Auto (1/30 ~ 1/50,000) FLK Manual (x2 ~ x30)	Off / Auto (1/25 ~ 1/50,000) FLK Manual (x2 ~ x30)
OSD Language	English / Chinese / Japanese / Korean	
Backlight Compensation (BLC)	Off / HLC / BLC / WDR	
Day & Night	Color / B/W / External / Auto	
Auto Gain Control (AGC)	Level (0 ~ 20) Adjustment	
White Balance	Auto / Auto-EXT / Preset / Manual	
Privacy Masking	On / Off (Programmable 16 zones)	
DNR	Off / Low / Middle / High	
Adaptive Contrast Enhancement (ACE)	Off / Low / Middle / High	
Defog	Off / Low / Middle / High	
Digital Zoom	On / Off (x1 ~ x8.0)	
Sens-up	Off / x2 ~ x32	
Motion Detection	4 Areas	
Digital Effect	Off / V-Flip / Mirror / Rotate	
Defect Correction	Live DPC (Dead Pixel Correction) / DPC Set	
RS-485	Yes	
IR LED	36pcs	
Input Voltage	DC 12V(±10%) / AC 24V	
Heater Operation Specifications	The internal temperature off : 20° / On : -20°	
Power Consumption	Heater Off DC IR Off : 210mA (Max.) / DC IR On : 430mA (Max.) Heater On DC IR Off : 330mA (Max.) / DC IR On : 560mA (Max.) Heater Off AC IR Off : 200mA (Max.) / AC IR On : 350mA (Max.) Heater On AC IR Off : 310mA (Max.) / AC IR On : 450mA (Max.)	
Operating Environment	-22°F ~ 122°F (-30°C ~ 50°C) / Max. 90% RH	
Storage Environment	-4°F ~ 140°F (-20°C ~ 60°C) / Max. 90% RH	

ACCESSORIES



AVM-DWMT-W

AVM-P-CMT

AVM-P-PMT