

AVC-VHN81FLT

4K NETWORK IR WEATHERPROOF DOME CAMERA

IP
CAMERA



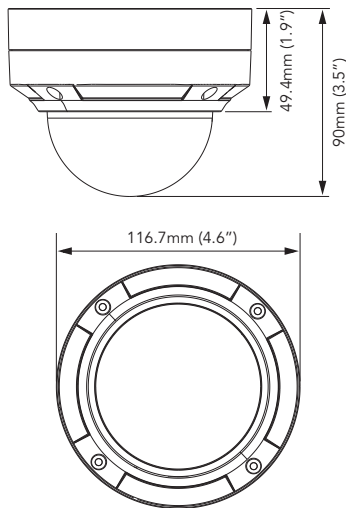
FUNCTIONS

- H.265 Video Compression Technology
- 8.4MP (3840 × 2160) H.265 Full Real Time Encoding
- Max. Resolution: 3840 × 2160
- True Day & Night ICR
- Up to 60ft. Night Time Viewing Distance (24 IR LEDs)
- 3D DNR, True WDR
- Video Analytics: Object removal, Line Crossing Detection and Intrusion Detection
- Supports Defogging, HLC, BLC, Digital Image Stabilization and Image Correction for various situations
- 8 ROI Encoding
- Supports Local CVBS / Analog Video Output (BNC) and One-way Audio
- Supports Hardware Reset
- Supports PoE (4.5W / 6.5W with IR On)
- Supports Smartphone, iPad and Remote Monitoring
- Supports P2P Remote Connection
- IK10 & IP66 Ingress Protection
- Supports Triple Streaming



DIMENSIONS

Unit : mm (inch)



SPECIFICATIONS

| DESCRIPTION | AVC-VHN81FLT |
|------------------------------|-----------------------------------------------------------------------------------------------------------------------------------------------|
| Image Sensor | 1/2.5" CMOS |
| Image Resolution | 3840 × 2160 |
| Electronic Shutter | 1/25s ~ 1/100,000s |
| Auto Iris | Fixed Iris |
| Min. Illumination | 0.01Lux @F1.2, AGC On; 0Lux with IR |
| Lens | 3.6mm MP Fixed Lens (ICR) |
| Lens Mount | M12 |
| Angle Adjustment | Pan: 0° ~ 240°, Tilt: 0° ~ 68°, Rotation: 0° ~ 220° |
| IR Distance | 60ft.* |
| Day & Night | True |
| Wide Dynamic Range | Digital WDR |
| Backlight Compensation (BLC) | Yes |
| HLC | Yes |
| Defogging | Yes |
| Digital NR | 2D / 3D DNR |
| Image Setting | ROI, Saturation, Brightness, Chroma, Contrast, Wide Dynamic, Sharpen, Noise Reduction, etc. Adjustable through client software or web browser |
| Video Compression | H.265 MP; H.264 BP / MP / HP; MJPEG |
| Resolution | 8.4MP (3840 × 2160), 1080P (1920 × 1080), 720P (1280 × 720), D1, CIF, 480 × 240 |
| Multi-Stream | 60Hz : 8MP (1 ~ 30fps) / 1080P (1 ~ 30fps) / 720P (1 ~ 30fps) 50Hz : 8MP (1 ~ 25fps) / 1080P (1 ~ 25fps) / 720P (1 ~ 25fps) |
| Bit Rate | 64Kbps ~ 16Mbps |
| Encode Mode | VBR / CBR |
| Encode Quality | Five Levels under VBR; Freely Adjustable under CBR |
| ROI | Each ROI to be configured separately |
| Audio Compression | G711A / U |
| Network | RJ45 × 1, 10M / 100M Self-Adaption |
| Video Output | CVBS (BNC × 1) |
| Audio | MIC In × 1 |
| Network Protocol | TCP/IP, UDP, DHCP, NTP, RTSP, PPPoE, DDNS, SMTP, FTP |
| Connection Protocol | ONVIF, GB-T / 28181-2011 |
| Remote Monitoring | Internet Explorer, CVMS, Mobile CVMS |
| Online Connections | Max. 10 Online Users |
| Storage | Network Remote Storage |
| Smart Alarm | Motion Alarm |
| Video Analytics | Object Removal Detection, Line Crossing Detection and Intrusion Detection, etc. |
| PoE | Yes |
| Power Supply | DC 12V / PoE (802.3af) |
| Power Consumption (IR On) | < 5W |
| Power Consumption (IR Off) | < 4W |
| Operating Environment | -22°F ~ 140°F (-30°C ~ 60°C), 10% ~ 90% Relative Humidity |
| Weatherproof Rating | IP66 |
| Dimensions | Ø4.6" × 3.5" (116.7mm × 90mm) |
| Weight | 1.33lbs |
| Installation | Ceiling Mounting (Wall mounting available with junction box and bracket) |

*IR distance range varies depending on the environment

FEATURES



Our IP cameras offer a complete set of input and output connectors for easy installation.

- Built-in PoE (Power over Ethernet) Port
- DC 12V Power
- CVBS Analog BNC Out
- Audio In (MIC)

ACCESSORIES



AVM-DDMTS-W-TL1



AVM-EWMTS-W-TL1