



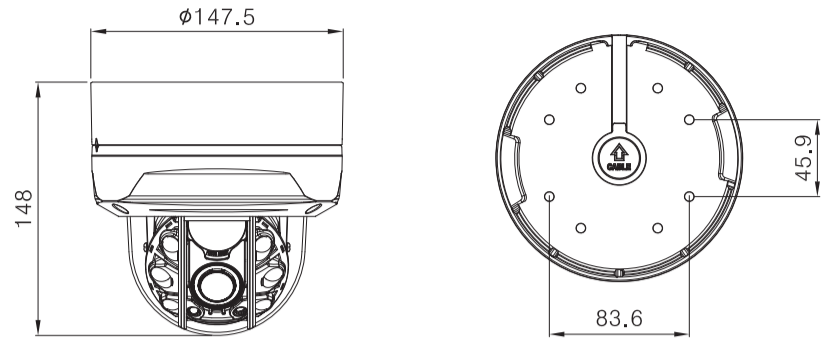
Full HD 1080P HD-SDI/TVI
MEGAPIXEL CCTV CAMERA

Owner's Manual

- 1/2.9" 2.4Megapixel CMOS SONY Sensor
- 1080P HD-TVI/EX-SDI IR VANDAL DOME CAMERA
- TRUE D&N (ICR)
- 2.8~12mm Megapixel Lens (ICR)
- DC12V/AC24V
- 6 AIB IR LED's
- 3-AXIS STRUCTURE
- FOCUS ASSIST (SS-E29AET-(G))
- MOISTURE REMOVAL
- HEATER & THERMOSTAT
- IP67 WATERPROOF RATING

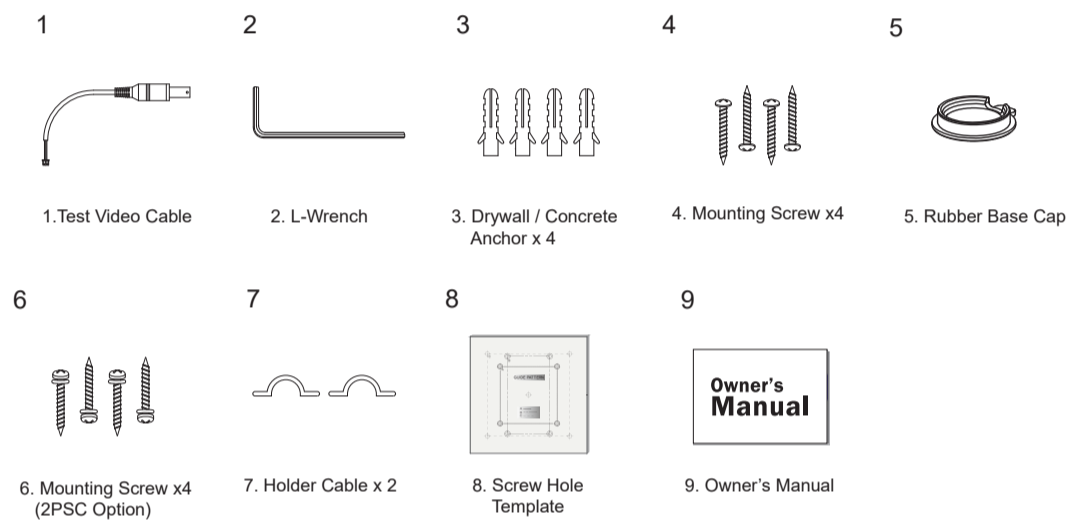
1. Dimensions

Unit : mm (Inch)

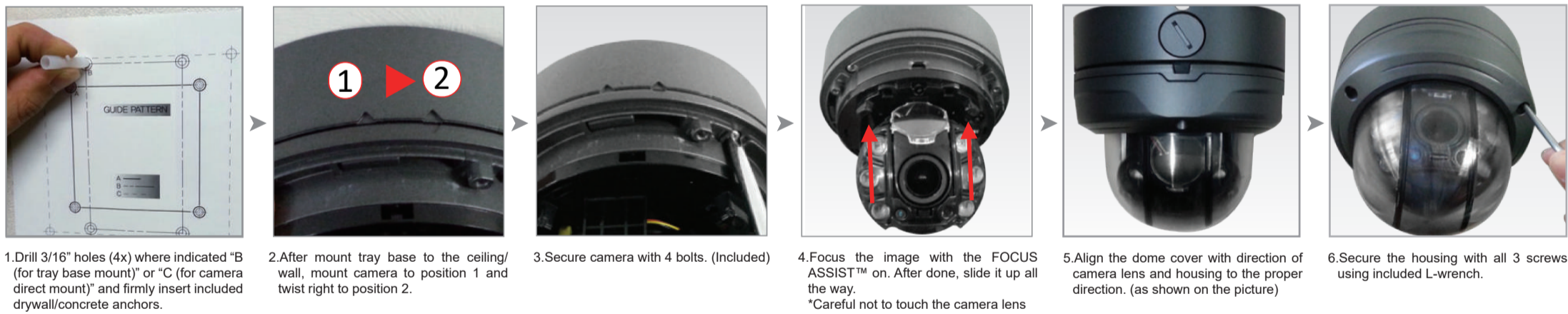


2. Features

3. Contents

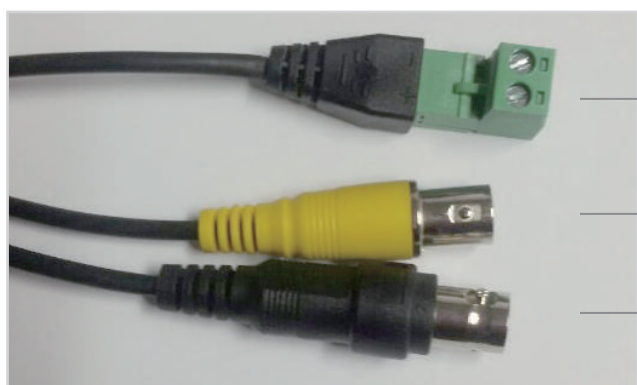


4. Installation Guide

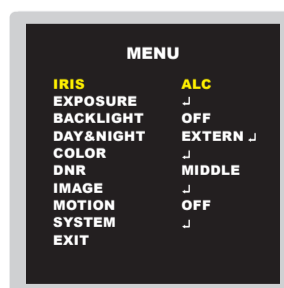


5. Cables

6. Settings



- Dual Voltage Terminal (12V DC/ 24V AC)
- Video output (HD-TVI)
- Video output (HD-SDI)



- * Push the SET button > menu open
- * Icon ◀ has sub menus.
- Press the set button to enter sub menus
- 1. Up and Down : Move Cursor
- 2. Left and Right : Value
- 3. Left and Right > Push > Menu > Value
- 4. END : Push > Return

Menu Configuration

MAIN SETUP	
IRIS	· ALC · ELC
EXPOSURE	· BRIGHTNESS · SHUTTER · SENS-UP · AGC · RETURN
BACKLIGHT	· OFF · WDR · BLC · HLC
DAY&NIGHT	· EXTERN · AUTO · COLOR · B&W
COLOR	· AWB · COLOR GAIN · MAIN OUTPUT · RETURN
DNR	· OFF · LOW · MIDDLE · HIGH
IMAGE	· SHARPNESS · GAMMA · MIRROR · FLIP · ACE · DEFOG · PRIVACY · RETURN
MOTION	· OFF · ON
SYSTEM	· OUTPUT · FRAME RATE · FREQ · IMAGE RANGE · COLOR SPACE · COM. · COLOR BAR · LANGUAGE · CAM TITLE · RESET · RETURN
EXIT	· SAVE · CANCEL

* See back for more details.

* UTC control is available on supported recording devices

7. Specifications

MODEL	NTSC	PAL
IMAGE SENSOR	1/2.9" 2.4Megapixel CMOS SONY Sensor	
EFFECTIVE PIXEL	1984 (H) × 1105 (V)	
SCANNING SYSTEM	PROGRESSIVE	
VIDEO OUTPUT	HD-SDI, TVI	
S/N (Y SIGNAL)	More than 52dB	
Min. ILLUMINATION	0.02Lux (SENS-UP x32)	
IRIS ADJUSTMENT	ALC/ELC	
LENS	2.8~12mm Megapixel Lens (ICR)	
ELECTRONIC SHUTTER	OFF/AUTO(1/30~1/50,000) / MANUAL(x2~x30)	OFF/AUTO(1/25~1/25,600) / MANUAL(x2~x30)
OSD LANGUAGE	ENG/CHN/CHN[S]/JPN/KOR	
BACKLIGHT COMPENSATION	OFF / HLC/BLC/WDR	
WHITE BALANCE	AUTO/AUTODEXT/PRESET/MANUAL	
DAY & NIGHT	COLOR/BW/EXTERN/AUTO	
PRIVACY MASKING	On / Off (Programmable 16 zones)	
NOISE REDUCTION	OFF / LOW / MIDDLE / HIGH	
ACE	OFF / LOW / MIDDLE / HIGH	
DEFOG	LOW / MIDDLE / HIGH / OFF	
DIGITAL ZOOM	OFF/ON (x1 ~ x8.0)	
SENS-UP	OFF/ X2~X32	
MOTION DETECTION	4 AREA	
DIGIAL EFFECT	OFF / V-FLIP / MIRROR	
DEFECT	LIVE DPC	
COMMUNICATION	UTC(OPTION)	
IR LED	6pcs	
INPUT VOLTAGE	DC 12V(±10%) / AC 24V DUAL VOLTAGE (OPTION)	
Power Consumption	DC IR OFF : 150mA(MAX) / DC IR ON : 450mA(MAX)	
	AC IR OFF : 130mA(MAX) / AC IR ON : 400mA(MAX)	
OPERATING TEMP. / HUM.	-10°C ~ +50°C / MAX 90% RH	
STORAGE TEMP. / HUM.	-20°C ~ +60°C / MAX 90% RH	

※ This device complies with part 15 of the FCC Rules. Operation is subject to the following two conditions: (1) This device may not cause harmful interference, and (2) this device must accept any interference received, including interference that may cause undesired operation.

8. Installation Caution



- Do not install the camera face towards the direct sun light.
- Do not install camera in an environment where the humidity is high.
- Handle with care. Dropping or sudden impact can damage the camera permanently.
- Do not install or use camera in extreme temperature condition.
- Do not touch the glass part of the lenses with your fingers.
- Cutting or altering a video cable will void the warranty.
- Bad grounding or running camera wires too close from power line may cause video (Ground Loop) interference.
- If product arrives damaged or defective, do not attempt to fix. Please contact your local dealer for RMA service.

*This camera may require professional installation. Please contact your local dealer for more information.

*Design and specifications are subjected to change without notice.

9. OSD Tree

