

# AVC-PT92X30(W/C)

HD-TVI IN/OUTDOOR 30X PTZ CAMERA

HD-TVI  
CAMERA



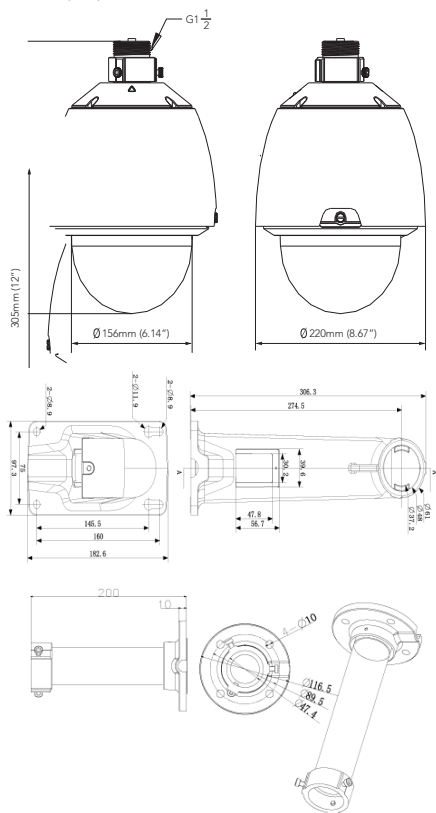
## FUNCTIONS

- 0 Lux Minimum Illumination
- 1/3" High Performance CMOS, up to 1920 x 1080 Resolution
- ±0.1° Preset Accuracy
- Self-adaptive to Pelco-P/D Protocol
- 3D Intelligent positioning Function
- Power-off Memory Function: Restore PTZ & Lens Status after Reboot
- Built-in Temperature Sensor
- Lightning Protection, Surge Protection and Voltage Transient Protection
- IP66 Standard (Outdoor Dome)
- Impact Protection: IEC60068-2-75 Test, EH, 20J; EN50102, up to IK10
- RS-485 Communication Diagnosis
- Scheduled PTZ Movement
- HD-TVI (UTC (Up the Coax) Function) & CVBS Analog Out – Dual BNC
- Auto Focus, Auto White Balance, Backlight Compensation
- Privacy Masks Programmable
- 3D DNR, True WDR
- 360° Endless Pan Range and -5° ~ 90° Tilt Range
- 300°/s Pan Preset Speed and 200°/s Tilt Preset Speed
- 0.1° ~ 250°/s Manual Pan Speed and 0.1° ~ 150°/s Manual Tilt Speed
- 256 Presets Programmable; Preset Image Freezing Capability
- 8 Patrols, up to 32 presets per patrol
- 4 Patterns, with the total recording time not less than 10 minutes
- Proportional Zoom Function
- Park Action: Auto Call up of PTZ Movement, after a defined time of inactivity



## DIMENSIONS

Unit : mm (inch)



## SPECIFICATIONS

DESCRIPTION	AVC-PT92X30(W/C)
Image Sensor	1/3" Progressive Scan CMOS
Max. Image Resolution	1920 x 1080
Frame Rate	50Hz: 25fps (1280 x 1080) / 60Hz: 30fps (1280 x 1080)
Min. Illumination	Color: 0.02Lux @ (F1.6, AGC on), B/W: 0.002Lux @ (F1.6, AGC on)
HD Video Output	1 HD-TVI Out (Up to 1200ft. with RG59U 95%)
White Balance	Auto / Manual / ATW / Indoor / Outdoor
S/N Ratio	50dB
3D DNR	Support
WDR	True WDR
Shutter Time	PAL: 1 ~ 1/10,000s, NTSC: 1 ~ 1/10,000s
Day & Night	IR Cut Filter
Optical Zoom	30x
Digital Zoom	16x
Privacy Mask	8 Privacy Masks Programmable; A Maximum of 8 zones can be masked simultaneously on the same video screen
Focus Model	Auto / Semi-automatic / Manual
Focal Length	4 ~ 120mm, 30x
Zoom Speed	Approx. 3.0s (Optical Wide - Tele)
Angle of View	58 ~ 21.7 Degrees (Wide - Tele)
Min. Working Distance	10 ~ 1500mm (Wide - Tele)
Aperture	F1.6 ~ F4.4
Pan Range	360° Endless
Pan Speed	Pan Manual Speed: 0.1° ~ 160°/s, Pan Preset Speed: 240°/s
Tilt Range	-15° ~ 90° (Auto Flip)
Tilt Speed	Tilt Manual Speed: 0.1° ~ 120°/s, Tilt Preset Speed: 200°/s
RS-485 Communication	Pelco-P, Pelco-D,
Diagnosis	OSD (UTC Control) via DVR
Proportional Zoom	Rotation speed can be adjusted automatically according to zoom multiples
Number of Preset	256
Patrol	8 Patrols, up to 32 presets per patrol
Pattern	4 Patterns, with the total recording time not less than 10 minutes
Power-off Memory	Support
Park Action	Preset / Patrol / Pattern / Pan Scan / Tilt Scan / Frame Scan / Random Scan / Panorama Scan
PTZ Position Display	On / Off
Preset Freezing	Support
Scheduled Task	Preset / Patrol / Pattern / Pan Scan / Tilt Scan / Frame Scan / Random Scan / Panorama Scan
Monitor Output	1 HD 1080P Output, 1.0V [p-p] / 75Ω, NTSC (or PAL) Composite, BNC
RS-485 Interface	Half-duplex Mode, Self-adaptive HIKVISION, Pelco - P, Pelco - D Protocol
Power	24V AC (For - A Moel), Max. 30W (IR: 9W, Heater: 6W)
Working Environment	-22°F ~ 140°F (-30°C ~ 60°C), 10% ~ 90% Relative Humidity
Protection Level	IP66 Standard TVS 4,000V Lightning Protection, Surge Protection and Voltage Transient Protection
Mounting	Various Mounting Modes Optional
Dimensions	Ø8.67" x 12" (220mm x 305mm)
Weight	12.13lbs

## ACCESSORIES



AVM-PT-WMT-T30

AVM-PT-CMT-T30