

AVC-PHN61FLT

6MP WEATHERPROOF DAY & NIGHT IP FISHEYE CAMERA

IP
CAMERA



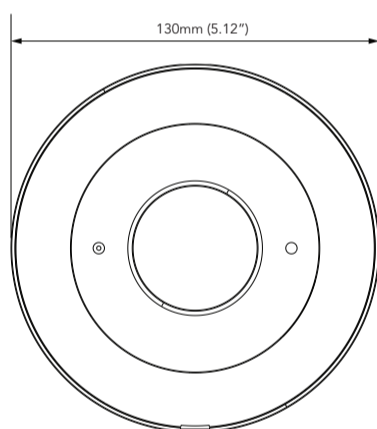
FEATURES

- H.265 Video Compression Technology
- 6MP (2160 x 2160) H.265 Full Real Time Encoding
- Max. Resolution: 2160 x 2160
- True Day & Night
- Up to 50ft. Night Time Viewing Distance
- 3D DNR, Digital WDR
- Supports HLC and BLC
- 8 ROI Encoding
- Supports Local CVBS / Analog Video Output (BNC) and Two-Way Audio
- Supports Hardware Reset
- Supports PoE
- Supports Smartphone, iPad and Remote Monitoring
- Supports P2P Remote Connection
- IP66 Ingress Protection
- Supports Triple Streaming



DIMENSIONS

Unit : mm (inch)



SPECIFICATIONS

DESCRIPTION	AVC-PHN61FLT
Image Sensor	1/2.9" CMOS
Electronic Shutter	1/25s ~ 1/100,000s
Lens	360° Fisheye, Panoramic View, e-PTZ Function
Day & Night	True
WDR	Digital WDR
BLC	Yes
Digital NR	2D / 3D
Slow Shutter	Yes
Video Compression	H.265 / H.264 / MJPEG
Encoding Type	VBR (Five levels of adjustment) / CBR
Video Bitrate	64Kbps ~ 16Mbps
Audio Compression	G.711A / G.711Mu
Audio Bit-rate	8 Kbps ~ 48 Kbps
Main Stream Max. Frame Rate	<ul style="list-style-type: none"> • Fisheye + Panorama + 3 PTZ Mode (2160 x 2160, 1920 x 1920, 1440 x 1440)@30fps, (1920 x 1080)@30fps, (960 x 540)@30fps x 3 • Fisheye + 4 PTZ Mode (2160 x 2160, 1920 x 1920, 1440 x 1440)@30fps, (960 x 540)@30fps x 4
Max. Image Size	2160 x 2160
Image Settings	ROI, Saturation, Brightness, Chroma, Contrast, Wide Dynamic, Sharpen, NR, etc. Adjustable through client software or web browser
Network	RJ45
Video Output	CVBS / Analog Video Output (BNC x 1)
Audio	Two-way Audio (Mic In x 1, Mic Out x 1)
Storage Card	Supports TF / MicroSD card up to 128GB
RS-485	Yes
Alarm	Alarm Input: 1 CH Alarm Output: 1 CH
Remote Monitoring	Internet Explorer (Windows) or Safari (OS X), CVMS, Mobile CVMS
Online Connection	Max. 10 Online Users
Network Protocol	TCP/IP, UDP, DHCP, NTP, RTSP, PPPoE, DDNS, SMTP, FTP
Connection Protocol	ONVIF
Storage	Supports micro SD card, up to 128GB, Network Remote Storage
Smart Alarm	Motion Alarm, Sensor Alarm
PoE	Yes
IR Distance	50ft.*
Weatherproof Rating	IP66
Power Supply	DC 12V / PoE
Operating Environment	-22°F ~ 140°F (-30°C ~ 60°C), 10% ~ 90% Relative Humidity
Power Consumption	<12W
Dimensions	1.5" x 5.12" (39mm x 130mm)
Weight	0.95 lbs
Installation	Wall Mount, Ceiling Mount

*IR distance range varies depending on the environment

IMAGES



The AVYCON IP Fisheye camera allows for monitoring of a single room or area with 360° coverage using the 1.07mm fisheye lens. This camera support true day and night mode with up to 100ft. IR distance, microSD slot, ONVIF compliant and IP66 Outdoor rating. Support for image dewarping/virtual PTZ is provided from the web interface or when connected to a compatible AVYCON NVR.

OPTIONAL ACCESSORIES



Junction Box
AVM-DDMT-FE1



Wall Mount
AVM-PWMT-FE1



Ceiling / Pendant Mount
AVM-PCMT-FE1