

AVC-PH52X36W/C

PROFESSIONAL PTZ SPEED DOME CAMERA (X36T)

**ANALOG
CAMERA**



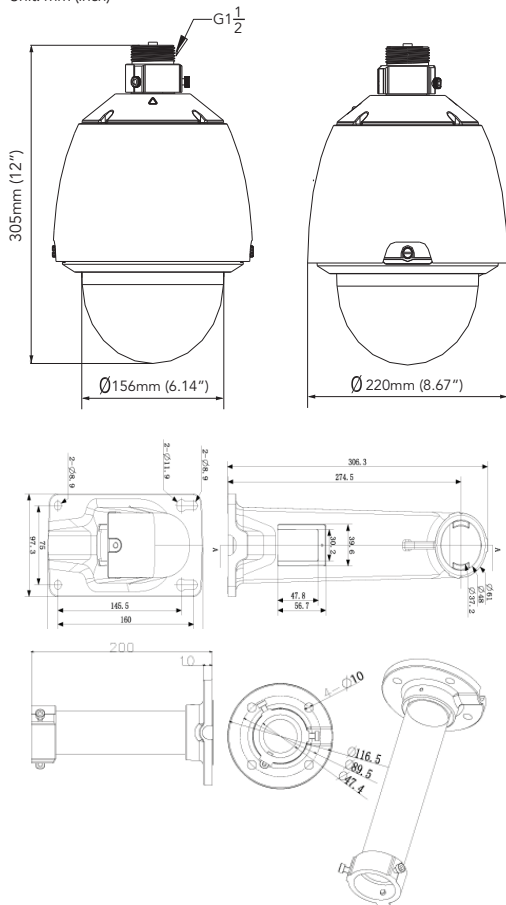
FUNCTIONS

- Lightening Speed (Max. 360°/sec)
- Smooth Manual Speed (Min. 0.05°/sec)
- Optical x36 Zoom
- Day & Night (IR Cut Filter)
- HLC (High Light Compensation)
- DIS (Digital Image Stabilization)
- SNR (Super Noise Reduction)
- AC 24V
- Included Wall Mount Bracket
- Independent Preset Parameter Setup (AE, WB and etc.)
- 127 Preset Positions with Alphanumeric Labels
- 4 Patterns, 8 Swings and 8 Group Functions
- Vandal-Proof (Dome Cover: PC / Housing & Accessories: AL)
- Built-in Fan & Heater



DIMENSIONS

Unit: mm (inch)



SPECIFICATIONS

DESCRIPTION	AVC-PH52X36W/C
Sensor	1/4" Sony Super HAD II CCD
Color System	NTSC
Resolution	650 TVL Color (700 TVL B/W)
S/N Ratio	50dB (AGC Off)
Zoom Ratio	x36 Optical Zoom, x32 Digital Zoom
Focal Length	f=3.4 (Wide) ~ 122.4 (Tele) mm
View Angle	57.8°(W) ~ 1.7°(T)
Iris	F1.6 (Wide) - F4.5 (Tele)
Min. Illumination	Color : 0.5 Lux, B/W : 0.2 Lux Color DSS : 0.001 Lux, B/W DSS : 0.0004 Lux
Day & Night	Auto / Day / Night
Focus	Auto / Manual / Semi-Auto
Iris Adjustment	Auto / Manual
Shutter Speed	Auto (x128 ~ 1/50 sec ~ 1/10,000 sec) Auto (x128 ~ 1/60 sec ~ 1/10,000 sec)
WDR	On / Off
DIS	On / Off
DSS	x2 ~ x512
DNR	On / Off
Auto Gain Control (AGC)	Auto / Manual
White Balance	Auto WB / Outdoor / Indoor / One Push WB / Manual WB
BLC/HLC	On / Off
Flickerless	On / Off
Brightness	Adjustable (0 ~ 96)
Pan/Tilt Range	Horizontal: 360° (endless) / Vertical: 90°
Speed	Preset : 400°/sec : 0 ~ 360°/sec (Proportional to zoom ratio)
Preset	127
Auto Scan	8
Pattern	4
Group	8
Other Functions	Auto flip, park position, power up
RS-485	Yes
Protocol	Pelco-D, Pelco-P
Privacy Zone	8 Zones could be programmed
Alarm I/O	8CH Input / 4CH Output
Input Voltage	24V AC
Max. Power Consumption	44W (Outdoor), 24W (Indoor)
Dimension	Outdoor : 11lb (5kg), Indoor : 5lb (2.5kg)
Weight	F230mm x H325mm (Outdoor); F141.5mm x H180mm
Working Environment	-22°F ~ 131°F (-30°C ~ 55°C)
Fan/Heater Start Temp. (Outdoor)	Fan Start Temp.: 86°F ; Heater Start Temp.: 41°F
Working Humidity	Fan Start Temp.: 30°C; Heater Start Temp.: 5°C 0% ~ 90% (Non-Condensation)

MOUNTS

