

AVC-PH52X12W/C

PROFESSIONAL PTZ SPEED DOME CAMERA (X12T)

**ANALOG
CAMERA**



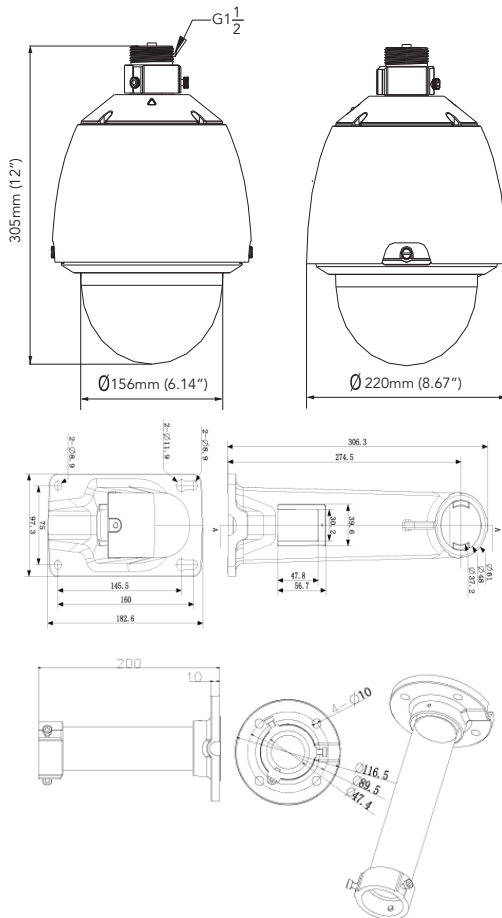
FUNCTIONS

- 1/4" Super-HAD CCD
- x144 Zoom Control (Optical x12, Digital x12)
- Smooth Motion at High Zoom Magnification Mode
- Lightening Speed (Max. 360°/sec) & Smooth Manual Speed (Min. 0.05°/sec)
- Endless 360° Pan Rotation
- Independent Preset Parameter Setup (AE, WB and etc.)
- No Accumulative Error with Preset Function
- Shortest Path by Vector Drive Technology
- High Accuracy with Micro-Stepping Control Technology
- Built-in sensor In/Out : 3In / 1Out



DIMENSIONS

Unit : mm (inch)



SPECIFICATIONS

DESCRIPTION	NTSC	PAL
Image Device	1/4" Super - HAD CCD	
Image Resolution	768 x 494 / 380K	
Resolution	Min. 560 TV Lines (Color) / Min. 600 TV Lines (B/W)	
S/N Ratio	52dB (AGC Off)	
Zoom	Optical x12 and Digital x12	
Focal Length	F1.6 (Wide) / F2.0 (Tele), f=3.6 ~ 44.3mm	
Min. Illumination	2.0 Lux (Color, Sens Off) / 0.0008 Lux (B/W, Sens x256), 50 IRE / F1.6	
Day & Night	Auto / Day / Night (IR Cut Filter)	
Focus	Auto / Manual / Semi-Auto	
Iris	Auto / Manual	
Shutter Speed	1/60(50) ~ 1/10,000 Sec (x2 ~ x256 Sens-up)	
Auto Gain Control (AGC)	Auto / Manual	
White Balance	Auto / Manual (red, blue gain adjustable. 2000°K ~ 10000°K)	
Backlight Compensation (BLC)	On / Off	
Flickerless	Selectable	
SSNR	Low / Middle / High / Off	
Privacy Mark	8 Masks with spherical coordinates	
Other Functions	Frame freeze function	
Range	Pan : 360°(endless) / Tilt : 90°	
Pan/Tilt Speed	Preset : 360°/sec Manual : 0.05° ~ 360°/sec (zoom proportional) Swing : 1° ~ 180°/sec	
Preset	128 Presets with labels / independent preset parameter setup	
Pattern	4 Patterns (approximate 5 minutes for each pattern)	
Swing	8 Swings	
Group	8 Groups (Max. 20 entries for each group)	
Other Functions	Auto flip, auto parking, power-up action and etc.	
RS-485	Yes	
Protocol	Pelco-D, Pelco-P selectable	
OSD Language	English On / Off	
Dimensions	Dome : ø 107.5mm / ø 4.2" Housing : 155(ø) x 144(H)mm / 6.1" (ø) x 5.7"(H)	
Weight	Approximate 2.7 Kg / 5.9 lbs (with bracket)	
Material	Dome : poly carbonate / Housing : aluminum	
Environment	Indoor / Outdoor	
Fan & Heater	Built-in fan : always on Heater : on below internal temperature 50°F (10°C)	
Operating Environment	-22°F ~ 122°F (-30°C ~ 50°C)	
Power	AC 24V / 1.5A	
Sensor In/Out	3 Inputs (photo coupler type) / 1 Output (relay type)	

MOUNTS

