

# AVC-NP51F180

## 5MP PANORAMIC 180° MINI BULLET CAMERA



## 5MP PANORAMIC 180° MINI BULLET CAMERA

### 5MP PANORAMIC 180° MINI BULLET CAMERA WITH INFINITE-STAR™ FEATURES

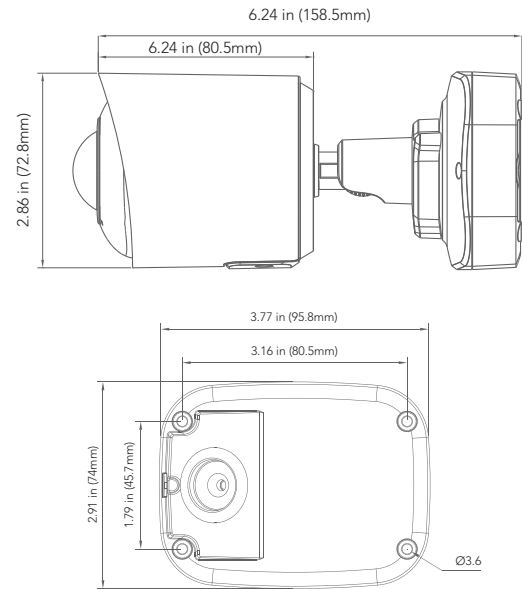
The AVYCON AVC-NP51F180 camera is a 5MP Panoramic Bullet camera that allows for 180° horizontal and 95° vertical view using only a single sensor and 1.68mm lens. This camera support true day and night mode, 0.005 lux sensitivity using InfiniteStar™ technology, and up to 50ft. IR distance. This camera also has a built-in microphone for audio monitoring, a microSD slot (256GB max capacity), and is ONVIF Profile S & G compliant. Also included with the camera is an integrated junction box for simplified indoor and outdoor installations.

## FUNCTIONS

- 5MP (2592 x 1944) H.265 Full Real Time Encoding
- Max. Resolution: 2592 x 1944
- Supports H.265 Video Compression Technology
- True Day & Night ICR with InfiniteStar™ Technology
- Up to 50ft. IR Illumination
- 180° Horizontal and 95° Vertical View using Single Sensor and 1.68mm Lens
- Supports Defogging, HLC, BLC, Digital Image Stabilization
- ROI Encoding
- Video Analytics: Optional Intrusion, Line Crossing, Loitering, Tampering, Human Detection, Object Removal, Abandoned Object, and People Counting
- Supports PoE (4.1W / 7.1W with IR On)
- IP67 Ingress Protection
- IK10 Vandal Resistance
- Supports Triple Streams
- Supports Smartphone, iPad, and Remote Monitoring
- Operating Temperature: -40F - 140F, less than 90% RH

## DIMENSIONS

Unit : inch (mm)



## OPTIONAL ACCESSORIES



AVM-P-PMT-A1



AVM-P-CMT-A1



# AVYCON®

# AVC-NP51F180

## 5MP PANORAMIC 180° MINI BULLET CAMERA

CAMERA	
Image Sensor	1/2.8" Progressive Scan CMOS
Min. Illumination	Color: 0.005 lux @ F1.2
Shutter Speed	1/100,000s ~ 1s
IR Distance	Up to 50ft. (15m) Smart IR Illumination
Day & Night	True Day/Night - ICR Filter Auto Switch
Focal Length	1.68mm @F2.0
Field of View	180° Horizontal, 95° Vertical
WDR	120dB
Mount	M12
Backlight Compensation (BLC)	Yes
Defog	Yes
HLC	Yes
Digital NR	Yes (2D/3D DNR)
VIDEO STREAM	
Max. Image Resolution	2592 x 1944
Supported Resolutions	2592 x 1944, 2560 x 1440, 1920 x 1080, 1280 x 720, 704 x 576, 640 x 480, 320 x 240, 320 x 192, 320 x 176
Main Stream	(2592 x 1944, 2560 x 1440, 1920 x 1080, 1280 x 720): 30fps
Sub Stream	(640 x 480, 640 x 360, 320 x 240): 30fps
Third Stream	(1920 x 1080, 1280 x 720, 704 x 576, 640 x 480, 320 x 240, 320 x 192, 320 x 176): 30fps
Video Compression	H.265+ / H.265 (HEVC) / H.264+ / H.264 / MJPEG
Video Bit Rate	16 Kbps~16 Mbps (CBR / VBR Adjustable)
Image Settings	ROI, Brightness, Contrast, Saturation, Sharpness
NETWORK	
Ethernet	1 x RJ45 10M / 100M Ethernet Port
API	ONVIF Profile S / G
Protocol	HTTP, HTTPS, IPv4/IPv6, 802.1x, QoS, FTP, SMTP, SSL, UPnP, SNMP, DNS, DDNS, NTP, RTSP, RTCP, RTP, TCP/IP, UDP, IGMP, ICMP, PPPoE, DHCP, VLAN
Network Storage	NAS (Supports NFS, SMB / CIFS)
AUDIO	
Audio Compression	G.711 / AAC
Interface	Built-in Microphone
VIDEO ANALYTICS	
SIP / VoIP Support	Yes, Voice / Voice-Over IP
Basic Events	Privacy Masking, ROI, White Balance, EIS, IP Address Filtering
Smart Events	Region Entrance, Region Exit, Advanced Motion Detection, Human Detection, People Counting, Loitering Tamper Detection, Line Crossing, Object Left, Object Removed
Event Action	FTP Upload, SMTP Upload, SD Card Record, SIP Phone, HTTP Notification, etc.
INTERFACES	
Local Storage	MicroSD / SDHC / SDXC Card Slot (256GB Max Capacity)
Alarm I/O	N/A
GENERAL	
Supported Protocols	ONVIF Profiles S / G
Input Voltage	DC 12V (±10%) / PoE(802.3af)
Power Consumption	4.1W / 7.1W Max. (with IR On)
Ingress Protection	IP67
Vandal Resistance	IK10
Working Environment	-40°F ~ 140°F (-40°C ~ 60°C)
Working Humidity	0~90% (Non-Condensing)
Weight	1.4lbs
Dimensions	3.77" x 2.91" x 6.24" (95.8mm x 74.0mm x 158.5mm)



# AVYCON<sup>®</sup>

Copyright © AVYCON. All rights reserved. Specifications and pricing are subject to change without notice.

phone: 949-752-7606

email: info@avycon.com

social: @avycon\_aivo

website: avycon.com