



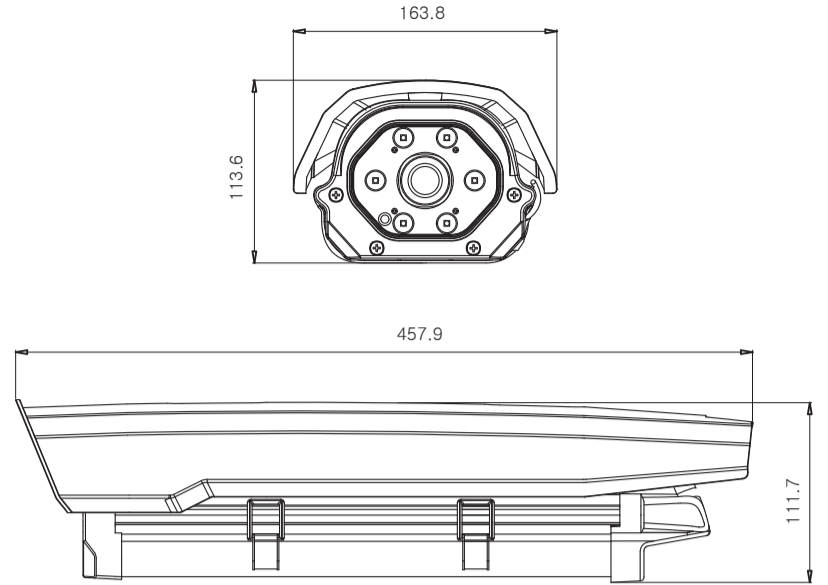
Full HD 1080P TVI/HD-SDI
MEGAPIXEL CCTV CAMERA

Owner's Manual

- 1/2.9" 2.4MEGAPIXEL CMOS SONY Sensor
- 2.8~12mm Megapixel Lens (ICR)
- Ultra High Resolution
- 6 High Power IR LED's
- UTC

1. Dimensions

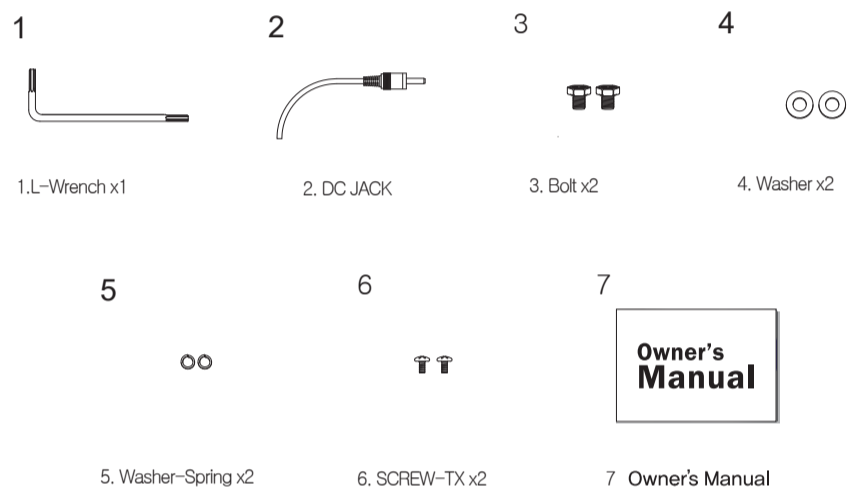
Unit : mm (Inch)



2. Features



3. Contents



4. Installation Guide



1. Remove 2 bolts and detach bracket-shoulder from wall mount arm.



2. Align bracket-shoulder to the camera body and tighten 2 bolts. (Included)

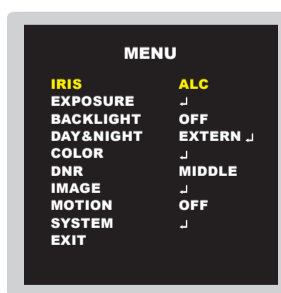


3. Re-attach the wall mount arm and tighten 2 bolts to secure the position.

5. Cables



6. Settings



- * Push the SET button > menu open
- * Icon ◀ has sub menus.
- Press the set button to enter sub menus
- 1. Up and Down : Move Cursor
- 2. Left and Right : Value
- 3. Left and Right > Push > Menu > Value
- 4. END : Push > Return

Menu Configuration

MAIN SETUP	
IRIS	· ALC · ELC
EXPOSURE	· BRIGHTNESS · SHUTTER · SENS-UP · AGC · RETURN
BACKLIGHT	· OFF · WDR · BLC · HLC
DAY&NIGHT	· EXTERN · AUTO · COLOR · B&W
COLOR	· AWB · COLOR GAIN · MAIN OUTPUT · RETURN
DNR	· OFF · LOW · MIDDLE · HIGH
IMAGE	· SHARPNESS · GAMMA · MIRROR · FLIP · ACE · DEFOG · PRIVACY · RETURN
MOTION	· OFF · ON
SYSTEM	· COM. · IMAGE RANGE · COLOR SPACE · FRAME RATE · FREQ · EX-SDI
	· OUTPUT · TVI · COLORBAR · LANGUAGE · CAM TITLE · RESET · RETURN
EXIT	· SAVE · CANCEL

* See back for more details.

* UTC control is available on supported recording devices

7. Specifications

MODEL	NTSC	PAL
IMAGE SENSOR	1/2.9" 2.4MEGAPIXEL CMOS SONY Sensor	
EFFECTIVE PIXEL	1985(H) x 1105(V)	
SCANNING SYSTEM	PROGRESSIVE	
VIDEO OUTPUT	TVI , HD-SDI	
S/N (Y Signal)	More Than 52dB	
Min. illumination	0.02Lux (Sens-up x 32)	
IRIS ADJUSTMENT	ALC/ELC	
LENS	2.8~12mm VARIFOCA LENS	
ELECTRONIC SHUTTER	OFF / AUTO (1/30~1/30,000) / MANUAL (X2~X30)	OFF / AUTO (1/25~1/25,600) / MANUAL (X2~X30)
OSD LANGUAGE	ENG/CHN/CHN(S)/JPN/KOR	
BACKLIGHT COMPENSATION	OFF / BLC / HLC	
WHITE BALANCE	Auto / Autoext/ Preset / Manual	
DAY & NIGHT	COLOR/BW/EXTERN/AUTO	
PRIVACY MASKING	ON/OFF (Programmable 16zone)	
DNR	OFF / LOW / MIDDLE / HIGH	
ACE	OFF / LOW / MIDDLE / HIGH	
DEFOG	OFF / LOW / MIDDLE / HIGH	
SENS UP	OFF / x2 ~ x32	
MOTION DETECTION	4 AREA	
DIGITAL EFFECT	OFF/V-FLIP/MIRROR	
DEFECT DET	LIVE DPC	
COMMUNICATION	UTC	
IR LED	High Power LED : 6PCS	
INPUT VOLTAGE	DC 12V(±10%) / AC 24V DUAL VOLTAGE (OPTION)	
POWER CONSUMPTION	DC IR OFF : 150mA(MAX) / IR ON : 850mA(MAX)	
	AC IR OFF : 140mA(MAX) / IR ON : 750mA(MAX)	
OPERATING TEMP. / HUM.	-10℃ ~ +50℃ / MAX 90% RH	
STORAGE TEMP. / HUM.	-20℃ ~ +60℃ / MAX 90% RH	

※ This device complies with part 15 of the FCC Rules. Operation is subject to the following two conditions: (1) This device may not cause harmful interference, and (2) this device must accept any interference received, including interference that may cause undesired operation.

8. Installation Caution



- Do not install the camera face towards the direct sun light.
- Do not install camera in an environment where the humidity is high.
- Handle with care. Dropping or sudden impact can damage the camera permanently.
- Do not install or use camera in extreme temperature condition.
- Do not touch the glass part of the lenses with your fingers.
- Cutting or altering a video cable will void the warranty.
- Bad grounding or running camera wires too close from power line may cause video (Ground Loop) interference.
- If product arrives damaged or defective, do not attempt to fix. Please contact your local dealer for RMA service.

*This camera may require professional installation. Please contact your local dealer for more information.

*Design and specifications are subject to change without notice.

9. OSD Tree

