

AVC-GH52T

960H BOX CAMERA

**ANALOG
CAMERA**



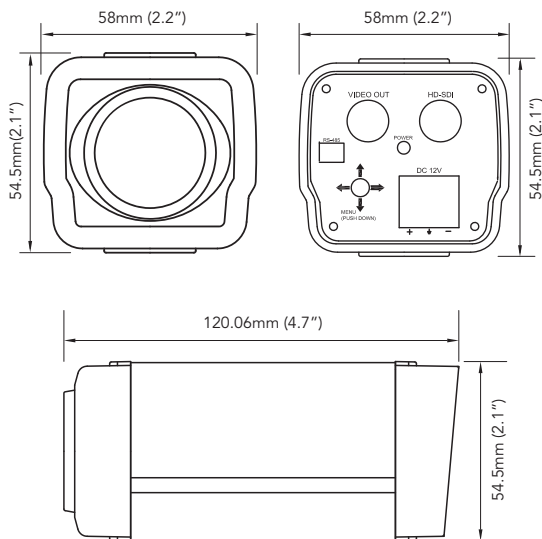
FUNCTIONS

- 1/3" 960H IT CCD
- Built In OSD Controller
- 3DNR (Digital Noise Reduction)
- DC 12V(±10%) / AC 24V(±10%) Dual - Voltage



DIMENSIONS

Unit : mm (inch)



SPECIFICATIONS

DESCRIPTION	NTSC	PAL
Image Sensor	1/3" 960H IT CCD	
Image Resolution	976 x 494	976 x 582
Scanning System	2:1 Interlace	
Video Output	Composite (1.0Vpp / 75 Ohm)	
S/N Ratio	52dB (AGC Off)	
Lens	C, CS Mount Lens	
Electronic Shutter	1/60 ~ 120,000 sec	1/50 ~ 120,000 sec
OSD Language	BLC / HSBLC / Off	
Backlight Compensation (BLC)	ATW / Push / User1 / User2 / Anti CR / Manual / Push Lock	
White Balance	Color / Auto / B/W / EXT1 / EXT2	
Day & Night	On / Off (8 Zones)	
Privacy Masking	Off / Low / Middle / High	
DNR	On / Off	
Smart IR (Anti-SAT)	Off / x1 ~ x512	
Sens-up	On / Off (4 Points)	
Motion Detection	On / Off	
Defect Correction	N/A	
IR LED	30pcs (80ft.*)	
Input Voltage	DC 12V (±10%) / AC 24V (±10%)	
Power Consumption	DC 12V : 120mA (Max.) / AC 24V : 110mA (Max.)	
	DC 12V : 120mA (Max.) / AC 24V : 110mA (Max.)	
Operating Environment	14°F ~ 122°F (-10°C ~ 50°C) / Max. 90% RH	
Storage Environment	-4°F ~ 140°F (-20°C ~ 60°C) / Max. 90% RH	

*IR distance range varies depending on the environment