

AVC-ETM91FT / 2.8(-W)

1080P HD-TVI IR MINI EYEBALL CAMERA

HD-TVI
CAMERA



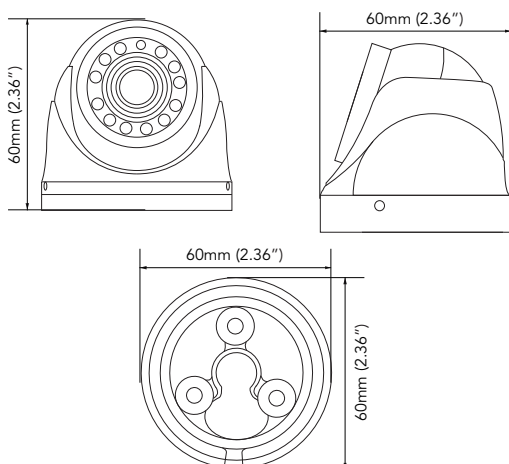
FUNCTIONS

- TVI Solution
- 1/2.9" 2.4Megapixel Sony Exmor CMOS
- Full HD 1080P
- 2.8mm MP Fixed Lens (ICR)
- 12 IR LEDs (Up to 40ft.)
- 0.2Lux (F1.2)
- ICR Filter Change Function
- Anti IR Saturation
- DC 12V (±10%)
- IP66 Weatherproof



DIMENSIONS

Unit : mm (inch)



SPECIFICATIONS

DESCRIPTION	AVC-ETM91FT/2.8-W
Image Sensor	1/2.9" 2.4Megapixel Sony Exmor CMOS
Image Resolution	1920 × 1080
Scanning System	Progressive
Video Output	TVI
S/N Ratio	More than 50dB
Min. Illumination	0.2Lux (F1.2)
Iris Adjustment	Auto
Lens	2.8mm MP Fixed Lens (ICR)
Electronic Shutter	Auto (1/30 ~ 1/10,000) Auto (1/25 ~ 1/10,000)
OSD Language	Off
Backlight Compensation (BLC)	Auto (1 ~ 16) Adjustment
Day & Night	True
D-WDR	True WDR
Auto Gain Control (AGC)	Auto (1 ~ 5) Adjustment
White Balance	Auto
Privacy Masking	Off
DNR	N/A
Smart IR (Anti-SAT)	On
LSC	Off
Gamma	0.45
Defog	N/A
Digital Zoom	N/A
Dead Pixel Compensation	N/A
Sens-up	N/A
Motion Detection	Off
Digital Effect	Off
RS-485	N/A
IR LED	12pcs (40ft.*)
Input Voltage	DC 12V (±10%)
Power Consumption	IR Off : 130mA (Max.) / IR On : 300mA (Max.)
Operating Environment	-4°F ~ 140°F (-20°C ~ 60°C) / 10% ~ 90% Relative Humidity

*IR distance range varies depending on the environment

ACCESSORIES



AVM-EDMTS-W-TL1