

AVC-ETA91VT(-W)

2.4MP HD IR WEATHERPROOF EYEBALL CAMERA

**HD-TVI
CAMERA**

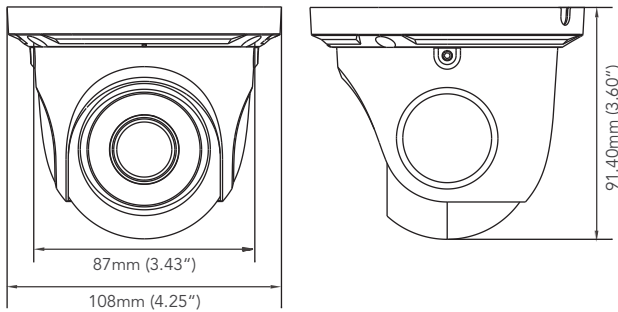


FUNCTION

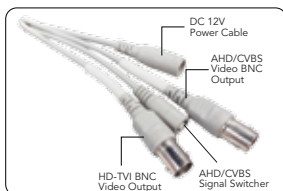
- HD-TVI, AHD, Analog (3 in 1) Solution
- 1/2.9" 2.4 Megapixel CMOS Image Sensor
- Full HD 1080P
- 2.8-12mm Megapixel Varifocal LENS
- 2 Matrix IR LEDs (Up to 120ft.)
- 0.2Lux (F1.2)
- ICR Filter Change Function
- Anti IR Saturation
- DC 12V (±10%)

DIMENSIONS

Unit : mm(inch)



CONNECTIONS



Dual BNC output provide full HD@30fps real-time HD-TVI video and CVBS (analog) video simultaneously.

- HD-TVI Video BNC Output
- AHD/CVBS Video BNC Output
- AHD/CVBS Signal Switcher
- DC 12V Power Cable

SPECIFICATION

DESCRIPTION	NTSC	PAL
Image Sensor	1/2.9" 2.4Megapixel CMOS Image Sensor	
Effective Pixel	1930 × 1088	
Scanning System	Progressive	
Synchronization	N/A	
Horizontal Resolution	1080P	
Video Output	HD-TVI, AHD, Analog	
S/N Ratio	More than 50dB	
Min. Illumination	0.2Lux (F1.2)	
Iris Adjustment	Auto	
Lens	2.8 ~ 12mm Megapixel Varifocal Lens	
Electronic shutter	Auto (1/30 ~ 1/10,000)	Auto (1/25 ~ 1/10,000)
OSD	Through UTC	
Backlight Compensation (BLC)	Auto (1 ~ 16) adjustment	
Day & Night	External	
D-WDR	Yes	
Auto Gain Control (AGC)	Auto (1 ~ 5) adjustment	
White Balance	Auto	
Privacy Masking	Off	
DNR	Yes	
Smart IR	On	
LSC	Off	
Gamma	0.45	
Defog	N/A	
Digital Zoom	N/A	
Dead Pixel Compensation	N/A	
Sens-up	x64	
Motion Detection	On / Off	
Digital Effect	Off	
Communication	UTC (Up-the-Coax)	
IR LED	2 Matrix IR LEDS (120ft.*)	
Input Voltage	DC 12V (±10%)	
Power Consumption	IR Off : 220mA (Max.) / IR On : 450mA (Max.)	
Operating Environment	-4°F ~ 140°F (-20°C ~ 60°C) / Max. 90% RH	
Storage Environment	-4°F ~ 140°F (-20°C ~ 60°C) / Max. 90% RH	

*IR distance range varies depending on the environment