

# AVC-ETA91FT-W

2.4MP HD IR WEATHERPROOF EYEBALL CAMERA

**HD-TVI  
CAMERA**

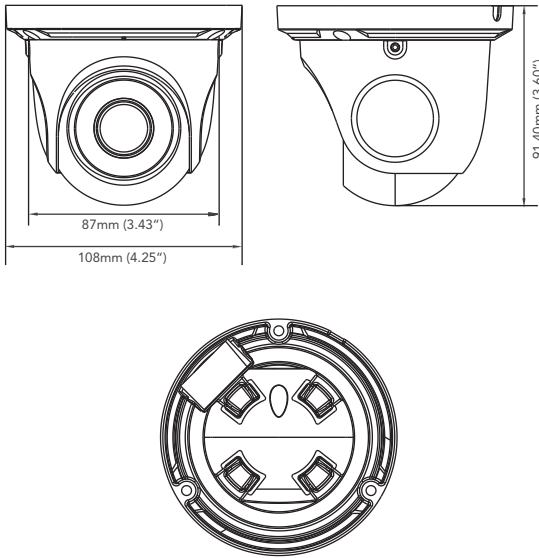


**FUNCTION**

- HD-TVI, AHD, Analog (3 IN 1) Solution
- 1/2.9" 2.4 Megapixel CMOS Image Sensor
- Full HD 1080P
- 3.6mm Megapixel Fixed Lens
- 2 STARLIT™ IR LEDs (\*100ft.)
- 0.2Lux (F1.2)
- ICR Filter Change Function
- Anti IR Saturation
- DC 12V (±10%)

**DIMENSION**

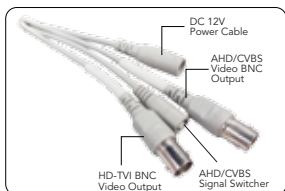
Unit : mm (inch)



**SPECIFICATION**

DESCRIPTION	NTSC	PAL
Image Sensor	1/2.9" 2.4Megapixel CMOS Image Sensor	
Effective Pixel	1930 (H) × 1088 (V)	
Scanning System	Progressive	
Synchronization	N/A	
Horizontal Resolution	1080P	
Video Output	HD-TVI, AHD, Analog	
S/N (Y Signal)	More than 50dB	
Min. Illumination	0.2Lux (F1.2)	
Iris Adjustment	Auto	
Lens	3.6mm Megapixel Fixed lens	
Electronic shutter	Auto (1/30 ~ 1/10,000)	Auto (1/25 ~ 1/10,000)
OSD	Through UTC	
Backlight Compensation	Auto (1~16) Adjustment	
Day & Night	EXT	
D-WDR	Yes	
Auto Gain Control	Auto (1~5) Adjustment	
White Balance	Auto	
Privacy Masking	Off	
DNR	Yes	
Smart IR	On	
LSC	Off	
Gamma	0.45	
Defog	N/A	
Digital Zoom	N/A	
Dead Pixel Compensation	N/A	
Sens-Up	x 64	
Motion	On/Off	
Digital Effect	Off	
Communication	UTC	
IR LED	2 STARLIT™ IR LEDs (100ft.) DC 12V (±10%)	
Input Voltage	DC 12V (±10%)	
Power Consumption	IR Off : 220mA (Max.) / IR On : 450mA (Max.)	
Operating Temp. / Hum.	4°F ~ 140°F / Max. 90% RH	
Storage Temp. / Hum.	-22°C ~ +60°C / Max. 90% RH	

**CONNECTION**



Dual BNC output provide full HD@30fps real-time HD-TVI video and CVBS (analog) video simultaneously.

- HD-TVI Video BNC Output
- AHD/CVBS Video BNC Output
- AHD/CVBS Signal Switcher
- DC 12V Power Cable