

# AVC-EHN41AVT

4MP H.265 NETWORK IR EYEBALL CAMERA

IP  
CAMERA



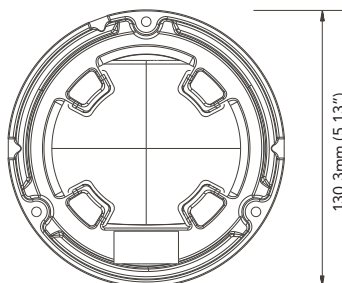
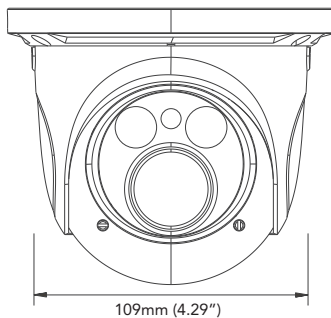
## FUNCTION

- H.265 Main Profile Video Compression Technology
- 4MP (2592 × 1520) H.265 Full Real Time Coding
- Max. Resolution: 2592 × 1520
- ICR Auto Switch, True Day & Night
- 2 Matrix IR LEDs (Up to 120ft.)
- IR Night View Distance
- 3D DNR, True WDR
- Support Auto Zoom and Manual Zoom
- ROI Coding
- Support Local CVBS Video Output and Two-way Audio
- Support PoE Power Supply
- Support Smartphone, iPad, Remote Monitoring
- Support P2P
- IP66 & IK10 Ingress Protection
- Support Three Streams



## DIMENSIONS

Unit : mm (inch)



## SPECIFICATION

DESCRIPTION	AVC-EHN41AVT
Image Sensor	1/3" CMOS
Effective Pixels	2592 x 1520
Electronic Shutter	1/25s ~ 1/100000s
Min. Illumination	Color: 0.05lux@f1.2, AGC On, B/W: 0lux with IR
Lens	3.3 - 12mm MP Motorized Auto-focus Lens (ICR)
Lens Angle	Horizontal: 50°, 80° ~ 38°(-fz)
Lens Mount	CS Mount, Ø14 Mount (-fz)
WDR	True WDR
BLC	Yes
DNR	2D / 3D DNR
Video Compression	H.265 MP, H.264 BL / MP / HP, MJPEG
Audio Compression	G.711A / G.711U
Bit Rate	64Kbps ~ 10Mbps
Encode Mode	VBR / CBR
Image Quality	Five Levels under VBR; Freely Adjustable under CBR
Resolution	4MP (2592 x 1520), 3MP (2304 x 1296), 1080P (1920 x 1080), 720P (1280 x 720), D1, CIF, 480 x 240
Multi-Stream	4MP (1 ~ 30fps) / 3MP (1 ~ 30fps) / 1920 x 1080 (1 ~ 30fps) / 720P (1 ~ 30fps) / 720P (1 ~ 30fps) / D1 (1 ~ 30fps) / CIF (1 ~ 30fps) / D1 (1 ~ 30fps) / 480 x 240 (1 ~ 30fps) / CIF (1 ~ 30fps)
Image Setting	ROI, Saturation, Brightness, Hue, Contrast, WDR, Sharpness, DNR, etc.
Network	RJ45
Video Output	CVBS (BNC x 1)
Audio	One-way Audio (MIC In x 1)
Card Storage	No
RS-485	No
Alarm Input	No
Alarm Output	No
Remote Monitoring	Browser, CVMS, Mobile CVMS
Supported Browsers	IE / Chrome / Firefox / Safari
Online Connection	Max. 10 Online Users
Protocol	TCP/IP, UDP, DHCP, NTP, RTSP, PPPoE, DDNS, SMTP, FTP
connection Protocol	ONVIF
Storage	Network Remote Storage
Smart Alarm	Motion Alarm
Intelligent Analysis	PEA / OSC / AVD
Day & Night	True
IR Distance	120ft.*
IR LED (Count)	2 (Array LED 42mil)
Weatherproof	IP66
Angle Adjustment	Horizontal: 0° ~ 360°, Vertical: 0° ~ 90°, Rotation: 0° ~ 360°
Power Supply	DC 12V / PoE
Power Consumption (IR off)	<2.5W
Power Consumption (IR on)	<5W
Working Environment	-22°F ~ 122°F (-30°C ~ 50°C), 10% ~ 90% Relative Humidity
Dimension	4.29" x 5.13" (109mm x 130.3mm)
Weight	689g

\*IR distance range varies depending on the environment

## ACCESSORIES



AVM-EDMTS-W-TL1



AVM-EWMT-W-TL1