

AVC-EH51V

ENTRY 960H IR EYEBALL CAMERA

ANALOG
CAMERA



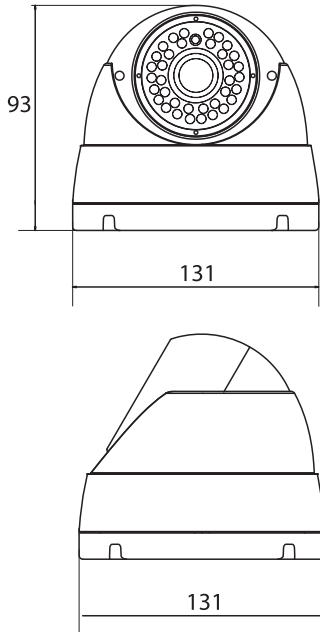
FUNCTION

- 1/3" SONY SUPER HAD II CCD
- 700TV LINES(960H)
- 2.8~12mm VARIFOCAL LENS
- 36 IR LED's (0 Lux WHEN IR ON)
- 0.1 Lux AT F1.2(COLOR), 0.001 Lux(B/W)
- DAY & NIGHT FUNCTION (EDN)
- 3D AXIS CABLE THROUGH BRACKET
- AVAILABLE IN IVORY HOUSING
- DC 12V (±10%)
- ALSO AVAILABLE IN WHITE: AVC-EH51V-W



DIMENSION

* Unit : mm (Inch)



SPECIFICATION

DESCRIPTION	NTSC	PAL
IMAGE SENSOR	1/3" SONY SUPER HAD II CCD	
EFFECTIVE PIXEL	976(H) X 494(V) 480K PIXELS	
SCANNING SYSTEM	2:1 INTERLACE	
SYNCHRONIZATION	INTERNAL	
HORIZONTAL RESOLUTION	700TV LINES	
VIDEO OUTPUT	CVBS : 1.0Vpp, 75Ω COMPOSITE	
S/N (Y SIGNAL)	MORE THAN 52dB	
MIN. ILLUMINATION	0.3 Lux AT F1.2(COLOR), 0.01 Lux(B/W)	
LENS	2.8~12mm VARIFOCAL LENS	
ELECTRONIC SHUTTER	AUTO (1/60 ~ 1/100,000SEC)	
DAY & NIGHT	AUTO	
BACKLIGHT COMPENSATION	BUILT-IN	
AGC (AUTO GAIN CONTROL)	BUILT-IN	
IR LED	36EA	
INPUT VOLTAGE	DC 12V(±10%)	
POWER CONSUMPTION	550mA (DC12V)	
OPERATING TEMP. / HUM.	-10℃ ~ +55℃ / MAX 90% RH	
STORAGE TEMP. / HUM.	-20℃ ~ +70℃ / MAX 90% RH	