

AVC-DP92VLT

HD-SDI VARIFOCAL LENS INDOOR IR DOME CAMERA

HD-SDI
CAMERA



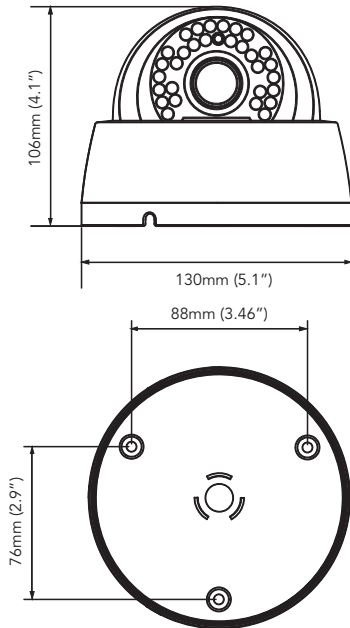
FUNCTIONS

- SDI Solution
- 1/2.9" 2.1Megapixel Sony Exmor CMOS
- HD-SDI 1080P(30P) / 720P(30P) / 720CRop(60P)
- 2.8 ~ 12mm DC Iris Megapixel Lens (ICR)
- 30 IR LEDs
- 0.02Lux (Sens-up x32)
- Built in OSD Controller & 2nd BNC Connector
- Digital Noise Reduction
- Multi Language
- ICR Filter Change Function
- DC 12V(±10%)



DIMENSIONS

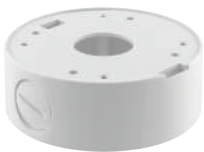
Unit : mm (inch)



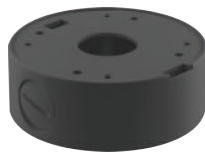
SPECIFICATIONS

DESCRIPTION	NTSC	PAL
Image Sensor	1/2.9" 2.1Megapixel Sony Exmor CMOS	
Image Resolution	1920 × 1080	
Scanning System	Progressive	
Video Output	HD-SDI, CVBS : 1.0Vpp, 75Ω composite	
	HD-SDI 1080P(30P) / 720P(30P) / 720 Crop(60P)	
S/N Ratio	More than 52dB	
Min. Illumination	0.02Lux (Sens-up x32)	
Lens	2.8 ~ 12mm DC Iris Megapixel Lens (ICR Type)	
Iris Adjustment	ALC / ESC	
Electronic Shutter	Off / Auto (1/30 ~ 1/50,000) FLK Manual (x2 ~ x30)	Off / Auto (1/25 ~ 1/50,000) FLK Manual (x2 ~ x30)
OSD Language	English / Chinese / Japanese / Korean	
Backlight Compensation (BLC)	Off / HLC / BLC / WDR	
Day & Night	Color / B/W / External / Auto	
Auto Gain Control (AGC)	Level (0 ~ 20) Adjustment	
White Balance	Auto / Auto-EXT / Preset / Manual	
Privacy Masking	On / Off (Programmable 16 zones)	
DNR	Off / Low / Middle / High	
Adaptive Contrast Enhancement (ACE)	Off / Low / Middle / High	
Defog	Off / Low / Middle / High	
Digital Zoom	On / Off (x1 ~ x8.0)	
Sens-up	Off / x2 ~ x32	
Motion Detection	4 Areas	
Digital Effect	Off / V-Flip / Mirror / Rotate	
Defect Correction	Live DPC (Dead Pixel Correction) / DPC Set	
RS-485	Yes	
IR LED	30pcs	
Input Voltage	DC 12V(±10%)	
Power Consumption	LED Off : 150mA (Max.) / LED On : 450mA (Max.)	
Operating Environment	14°F ~ 122°F (-10°C ~ 50°C) / Max. 90% RH	
Storage Environment	-4°F ~ 140°F (-20°C ~ 60°C) / Max. 90% RH	

ACCESSORIES



AVM-EDMTS-W



AVM-EDMTS-G