

AVYCON

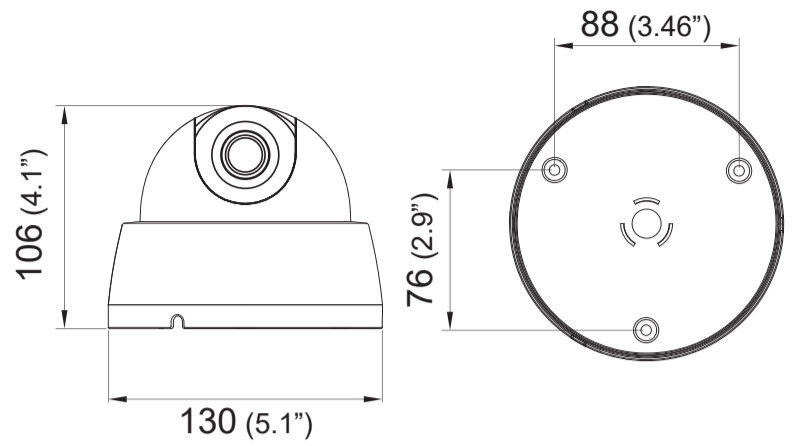
ULTRA HIGH RESOLUTION
DIGITAL COLOR CCTV CAMERA

Owner's Manual

- 1/3" 960H IT CCD
- 2.8~12mm MegaPixel Lens (ICR)
- Ultra High Resolution
- 3-Axis Structure
- ICR Filter Change Function

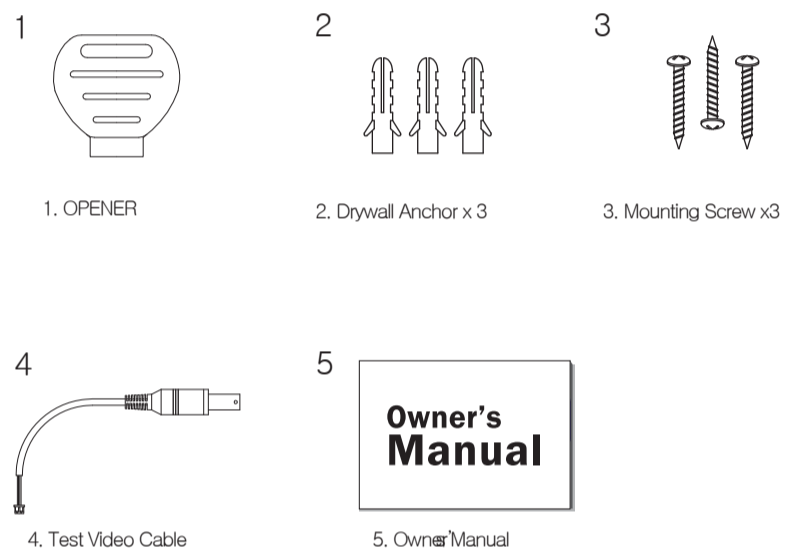
1. Dimensions

Unit : mm (Inch)



2. Features

3. Contents

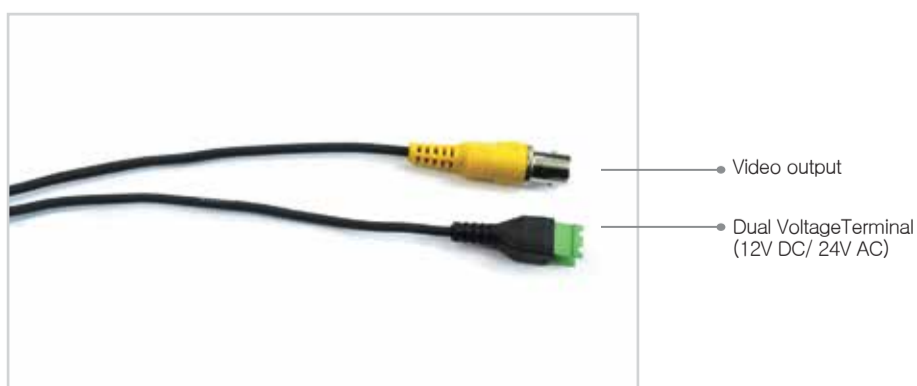


4. Installation Guide



5. Cables

6. Settings



MAIN SETUP	
1. EXPOSURE	ALC ◀
2. DAY/NIGHT	AUTO ◀
3. WHITE BAL	ATW
4. MONITOR	◀
5. IMAGE	◀
6. DNR	MIDDLE
7. MOTION	OFF
8. SYSTEM	◀
9. EXIT	SAVE ◀

Menu Configuration

MAIN SETUP	
EXPOSURE	· ELC · ALC
DAY/NIGHT	· AUTO/DAY · EXTERN · CDS
WHITE BAL	· ATW/PUSH · MANUAL
MONITOR	· GAMMA · CHROMA · SHARPNESS · SHADING · PED.LV
IMAGE	· BACKLIGHT · CONTRAST · POSI/NEGA · MIRROR · PRIVACY · RETURN
DNR	· LOW / MIDDLE / HIGH
MOTION	· ON / OFF
SYSTEM	· SYSTEM · CAM TITLE · CAM ID · ID DISP · SYNC · BUFRATE · LANGUAGE · SPECIAL
EXIT	· SAVE / RESTORE / INITIAL / MANUAL

※ See back for more details.

* Push the SET button > menu open
* Icon ◀ has sub menus. Press the set button to enter sub menus.

1. Up and Down : Move Cursor
2. Left and Right : Value
3. Left and Right > Push > Menu > Value
4. END : Push > Return

7. Specifications

MODEL	NTSC	PAL
IMAGE SENSOR	1/3" 960H IT CCD	
EFFECTIVE PIXEL	976(H) x 494(V)	976(H) x 582(V)
SCANNING SYSTEM	2:1 Interlace	
SYNCHRONIZATION	Internal	
HORIZONTAL RESOLUTION	700TV Lines	
VIDEO OUTPUT	COMPOSITE (1.0Vp-p/75Ohm)	
S/N (Y Signal)	More Than 50dB	
LENS	2.8~12mm Megapixel Lens (ICR)	
ELECTRONIC SHUTTER	1/60 ~ 120,000sec	1/50 ~ 120,000sec
BACKLIGHT COMPENSATION	OFF / BLC / HLC	
WHITE BALANCE	Auto / Preset / Manual	
DAY & NIGHT	Auto / Day / Night / EXT	
PRIVACY MASKING	ON/OFF (8 zones)	
DNR	OFF / LOW / MIDDLE / HIGH	
SMART IR	OFF / ON	
SENS UP	OFF / x1 ~ x1024	
MOTION	OFF / ON (4 POINTS)	
DEFECT DET	OFF / ON	
IR LED	-	
INPUT VOLTAGE	DC 12V(±10%) & AC24(±10)	
POWER CONSUMPTION	DC IR OFF : 130mA(MAX)	
	AC IR OFF : 120mA(MAX)	
OPERATING TEMP. / HUM.	-10°C ~ +50°C / MAX 90% RH	
STORAGE TEMP. / HUM.	-20°C ~ +60°C / MAX 90% RH	

※ This device complies with part 15 of the FCC Rules. Operation is subject to the following two conditions: (1) This device may not cause harmful interference, and (2) this device must accept any interference received, including interference that may cause undesired operation.

8. Installation Caution



- Do not install the camera face towards the direct sun light.
- Do not install camera in an environment where the humidity is high.
- Handle with care. Dropping or sudden impact can damage the camera permanently.
- Do not install or use camera in extreme temperature condition.
- Do not touch the glass part of the lenses with your fingers.
- Cutting or altering a video cable will void the warranty.
- Bad grounding or running camera wires too close from power line may cause video (Ground Loop) interference.
- If product arrives damaged or defective, do not attempt to fix. Please contact your local dealer for RMA service.

*This camera may require professional installation. Please contact your local dealer for more information.

*Design and specifications are subjected to change without notice.

9. OSD Tree

