

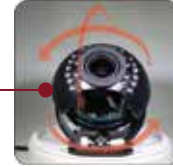
# AVC-DA92VLT(-BK)

HD TVI / EX SDI & HD SDI / ANALOG

**HD** OVER COAX & UTP

### Smart IR™

This camera is equipped with 30pcs of Smart IR™ feature which prevents overly exposed image due to sporadic IR brightness.

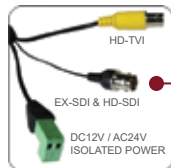


### 3-Axis Easy Installation Housing

The housing is made out of durable ABS plastic along with its unique housing design, and 3-Axis internal makes installation much easier than other cameras

### High Quality DC Iris Varifocal Lens

High quality DC Iris 4x Megapixel Zoom Lens (2.8-12mm) provides superior picture quality which is very important for today's high definition cameras. (Available on "VLT" models only)



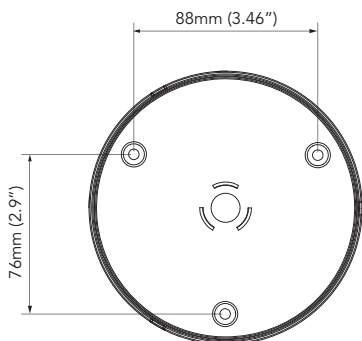
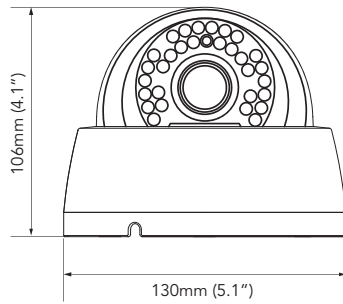
### Dual HD Video Output

Both EX-SDI/HD-SDI and HD-TVI output provide Full HD @ 30fps real-time video simultaneously. This feature allows to connect up to 2 High Definition DVR's or 1 High Definition DVR and 1 Live High Definition TV/Monitor at the same time.



### IDPTM Isolation Dual Power

Our patent pending IDPTM Isolation power will provide power to the camera more efficiently and safely by protecting the camera from surge, ground noise, and etc. (Available on DC12V/24VAC models only)



Unit : mm (inch)

DESCRIPTION	AVC-DA92VLT(-BK)
Image Sensor	1/2.9" 2.4 Megapixel Sony Exmor CMOS
Image Resolution	1920 x 1080
Scanning System	Progressive
Video Output	HD-TVI, EX-SDI / HD-SDI, CVBS (OSD Selectable)
S/N Ratio	More than 52dB
Min. Illumination	0.02Lux (Sens-up x32)
Iris Adjustment	ALC / ELC
Lens	2.8 ~ 12mm MP DC Auto Iris Varifocal Lens (ICR)
Electronic Shutter	Auto (1/30 ~ 1/60,000)   Auto (1/25 ~ 1/60,000) FLK
OSD Language	English / Chinese / Japanese / Korean
Backlight Compensation (BLC)	Off / HLC / BLC / WDR
Day & Night	Color / B/W / External / Auto
WDR	True WDR
Auto Gain Control (AGC)	Level (0 ~ 20) Adjustment
White Balance	Auto / Auto-EXT / Preset / Manual
Privacy Masking	On / Off (Programmable 16 zones)
DNR	Off / Low / Middle / High
Smart IR (Anti-SAT)	Anti-SAT (0 ~ 20) Adjustment
LSC	On / Off
Gamma	0.45 / 0.5 / 0.55 / 0.6 / 0.65
Defog	On / Off
Digital Zoom	On / Off (x1 ~ x8.0)
Defect Correction	Live DPC / DPC Set (Dead Pixel Correction)
Sens-up	Off / x2 ~ x32
Motion Detection	4 Areas
Digital Effect	Off / V-Flip / Mirror / Rotate
RS-485	Yes, UTC (Up-the-Coax)
IR LED	30pcs (80ft.*)
Input Voltage	DC 12V (±10%) / AC 24V - Dual Voltage
Power Consumption	DC IR Off: 200mA (Max.) / DC IR On: 550mA (Max.) AC IR Off: 190mA (Max.) / AC IR On: 370mA (Max.)
Operating Environment	-4°F ~ 140°F (-20°C ~ 60°C) / 10% ~ 90% Relative Humidity
Storage Environment	-4°F ~ 140°F (-20°C ~ 60°C) / 10% ~ 90% Relative Humidity

\*IR distance range varies depending on the environment

**AVYCON**®

☎ 949-752-7606 🌐 www.avycon.com ✉ info@avycon.com

Copyright © Avycon All Rights Reserved. Design and specifications are subject to change without notice.