

AVC-BTS91MVT(-W)

1080P HD-TVI IR BULLET CAMERA

HD-TVI
CAMERA



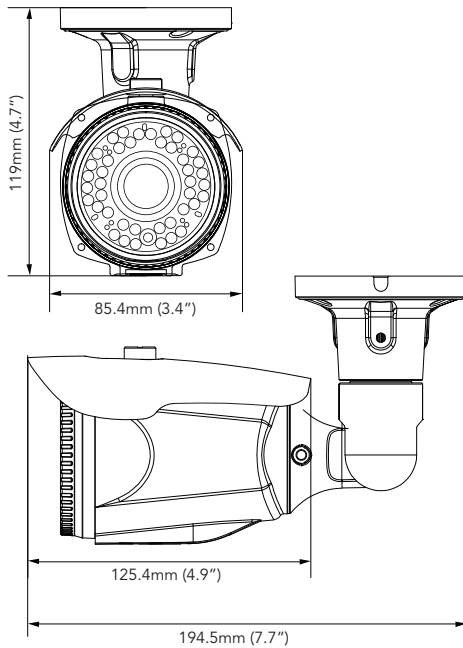
FUNCTIONS

- TVI Solution
- 1/2.9" 2.4 Megapixel Sony Exmor CMOS
- Full HD 1080P
- 2.8 ~ 12mm MP Varifocal Lens (ICR)
- 42 IR LEDs (Up to 110ft.)
- 0.2Lux (F1.2)
- ICR Filter Change Function
- Anti IR Saturation
- DC 12V (±10%)
- IP67 Weatherproof



DIMENSIONS

Unit : mm (inch)



SPECIFICATIONS

DESCRIPTION	AVC-BTS91MVT(-W)
Image Sensor	1/2.9" 2.4 Megapixel Sony Exmor CMOS
Image Resolution	1920 × 1080
Scanning System	Progressive
Video Output	HD-TVI, CVBS
S/N Ratio	More than 52dB
Min. Illumination	0.02Lux (Sens-up x32)
Iris Adjustment	ALC / ELC
Lens	2.8 ~ 12mm MP Varifocal Lens (ICR)
Electronic Shutter	NTSC: Auto (1/30 ~ 1/60,000) PAL: Auto (1/25 ~ 1/60,000) FLK
OSD Language	English / Korean / Chinese / Japanese
Backlight Compensation (BLC)	Off / HLC / BLC / WDR
Day & Night	True
WDR	True
Auto Gain Control (AGC)	Level (0 ~ 20) Adjustment
White Balance	Auto / Auto-EXT / Preset / Manual
Privacy Masking	On / Off (Programmable 16 zones)
DNR	Off / Low / Middle / High
Smart IR (Anti-SAT)	Anti-SAT (0 ~ 20) Adjustment
LSC	On / Off
Gamma	0.45 / 0.5 / 0.55 / 0.6 / 0.65
Defog	On / Off
Digital Zoom	On / Off (x1 ~ x8.0)
Dead Pixel Compensation	Live DPC (Dead Pixel Correction) / DPC Set
Sens-up	Off / x2 ~ x32
Motion Detection	4 Areas
Digital Effect	Off / V-Flip / Mirror / Rotate
RS-485	Yes, UTC (Up-the-Coax)
IR LED	42pcs (110ft.*)
Input Voltage	DC 12V (±10%)
Power Consumption	DC IR Off : 200mA (Max.) / DC IR On : 550mA (Max.) AC IR Off : 190mA (Max.) / AC IR On : 370mA (Max.)
Operating Environment	-4°F ~ 140°F (-20°C ~ 60°C) / 10% ~ 90% Relative Humidity

*IR distance range varies depending on the environment

ACCESSORIES



AVM-BDMT-W-TL1