

AVC-BT91FT(-W)

1080P HD-TVI IR BULLET CAMERA

HD-TVI
CAMERA



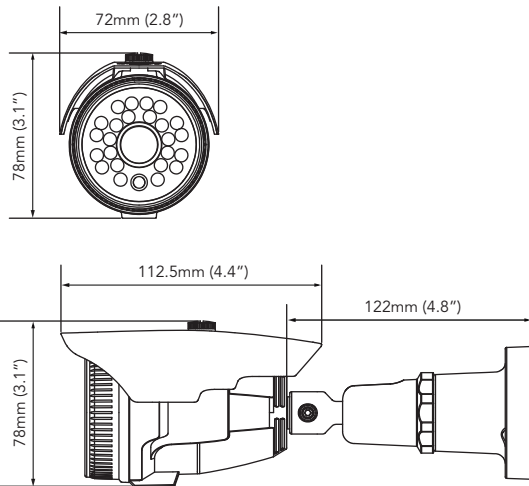
FUNCTIONS

- TVI Solution
- 1/2.9" 2.4Megapixel Sony Exmor CMOS
- Full HD 1080P
- 3.6mm MP Fixed Lens (ICR)
- 30 IR LEDs (Up to 60ft.)
- 0.2Lux (F1.2)
- ICR Filter Change Function
- Anti IR Saturation
- 3-Axis Conshield Bracket
- DC 12V (±10%)



DIMENSIONS

Unit : mm (inch)



SPECIFICATIONS

DESCRIPTION	AVC-BT91FT(-W)
Image Sensor	1/2.9" 2.4Megapixel Sony Exmor CMOS
Image Resolution	1920 × 1080
Scanning System	Progressive
Video Output	TVI
S/N Ratio	More than 52dB
Min. Illumination	0.2Lux (F1.2)
Iris Adjustment	Auto
Lens	3.6mm MP Fixed Lens (ICR)
Electronic Shutter	NTSC: Auto (1/30 ~ 1/10,000) PAL: Auto (1/25 ~ 1/10,000)
OSD Language	Off
Backlight Compensation (BLC)	Auto (1 ~ 16) Adjustment
Day & Night	True
D-WDR	N/A
Auto Gain Control (AGC)	Auto (1 ~ 5) Adjustment
White Balance	Auto
Privacy Masking	Off
DNR	N/A
Smart IR (Anti-SAT)	On
LSC	Off
Gamma	0.45
Defog	N/A
Digital Zoom	N/A
Dead Pixel Compensation	N/A
Sens-up	N/A
Motion Detection	Off
Digital Effect	Off
RS-485	N/A
IR LED	30pcs (60ft.*)
Input Voltage	DC 12V (±10%)
Power Consumption	IR Off: 130mA (Max.) / IR On: 350mA (Max.)
Operating Environment	-4°F ~ 140°F (-20°C ~ 60°C) / 10% ~ 90% Relative Humidity
Storage Environment	-4°F ~ 140°F (-20°C ~ 60°C) / 10% ~ 90% Relative Humidity

*IR distance range varies depending on the environment

ACCESSORIES



AVM-BDMT-W-TL1