

AVC-BN91VT

2 MEGAPIXEL IP IR BULLET CAMERA

IP
CAMERA



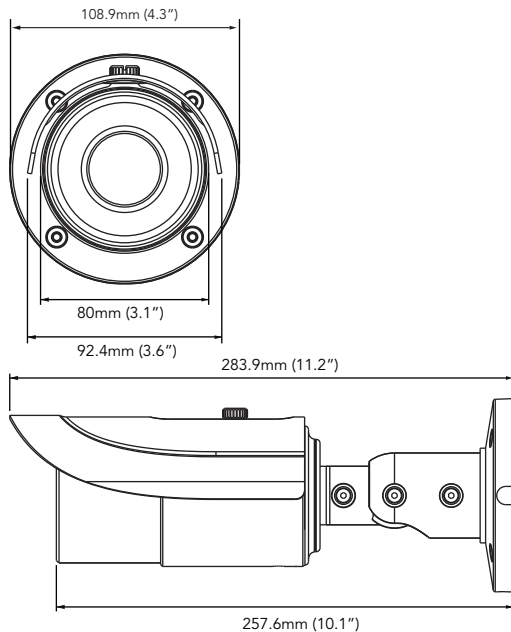
FUNCTION

- 1080P (1920 x 1080) Full Real Time Coding
- Maximum Resolution: 1920 x 1080
- 2.8 ~ 12mm MP Varifocal Lens (ICR)
- H.264 / 48 IR LED
- ICR Auto Switch, True Day & Night
- 30 ~ 50m IR Night Time View Distance
- 3D DNR, Digital WDR
- Support Corridor Pattern
- ROI Coding
- PoE (Power over Ethernet) Power Supply
- Support Smartphone, iPad, Remote Monitoring
- Support P2P / Triple Streams
- Weatherproof (IP66)
- DC 12V / White Casing



DIMENSION

Unit : mm (Inch)



SPECIFICATION

DESCRIPTION	AVC-BN91VT
Image Sensor	1/3" CMOS
Image Size	1920 x 1080
Electronic Shutter	1/25s ~ 1/100000s
Min. Illumination	0 lux (IR LED ON)
Lens	2.8 ~ 12mm MP Varifocal Lens (ICR)
Lens Mount	CS / ø14
Video Compression	H.264 / MJPEG
Resolution	1080P (1920 x 1080), 720P (1280 x 720), D1, CIF, 480 x 240
Multi-Stream	1920 x 1080 (1 ~ 30fps) / 1280 x 720 (1 ~ 30fps) / 1280 x 720 (1 ~ 10fps) / D1 (1 ~ 30fps) / CIF (1 ~ 30fps) / CIF (1 ~ 30fps) / 480 x 240 (1 ~ 30fps)
Bit Rate	64Kbps ~ 8Mbps
Encode Mode	VBR / CBR
Quality	Five Levels under VBR; Freely Adjustable under CBR
Image Settings	Corridor Pattern, Saturation, Brightness, Chroma, Contrast, Wide Dynamic, Sharpen, NR, etc. adjustable through client software or web browser
Remote Monitoring	IE Browsing, CMS Remote Control
Online Connection	Support simultaneous monitoring for up to 4 users; Support multi-stream real time transmission
Protocol	TCP / IP, UDP, DHCP, NTP, RTSP, PPPoE, DDNS, Protocol SMTP, FTP
Storage	Network Remote Storage
Smart Alarm	Motion Alarm
Day & Night	True
PoE	Yes
IR Distance	30 ~ 50m
Water-proof	IP66
Network	RJ45
Audio	No
Storage Card	Support TF card, Max. capacity is 64GB
Power Supply	DC 12V / PoE
Power Consumption	< 2.5W
IR Consumption On	< 6.5W
Operating Environment	-22°F ~ 140°F (-30°C ~ 60°C), 10% ~ 90% Relative Humidity
Dimensions	ø4.3" x 11.2" (ø109mm x 284mm)
Weight (net)	1091g (2.4 lbs)

ACCESSORIES



AVM-EDMTS-W-TL1