

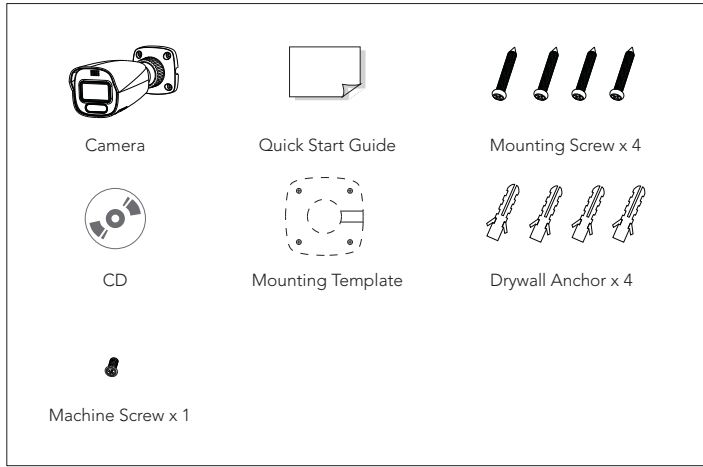
# NETWORK CAMERA QUICK START GUIDE

Thank you for purchasing our product. There may be some outdated information or minor printing errors in this manual. Updates are continually being added into the newest version of this manual. We will readily update the products or procedures described in the manual. The contents are subject to change without notice.

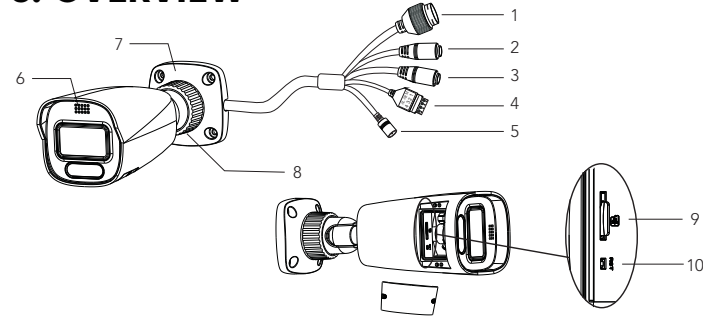
## 1. WARNING AND CAUTION

- If the product does not work properly, please contact your dealer or the nearest service center. Never attempt to disassemble the camera yourself. (We shall not be responsible for any problems caused by unauthorized repair or maintenance.)
- Keep product away from liquid while in use.
- In the use of the product, you must be in strict compliance with the electrical code of your country or state.
- When mounting the camera on a wall or ceiling, please ensure that it is properly mounted with the correct hardware.
- Do not use camera beyond specified voltage range.
- Do not drop the camera or subject it to physical shock.
- Avoid touching the camera lens.
- If cleaning is necessary, please use a clean cloth to wipe it gently. If the device will not be used for a long time, please cover the lens cap to protect the device from dirt.
- Do not aim the camera directly at the sun or a very bright light source.
- Do not place the camera in extremely hot, cold (operating temperature should be -30°C~60°C), dusty, or damp locations, and do not expose it to high electromagnetic radiation.
- To avoid overheating, decent ventilation for the product is required in the operating environment.
- Some parts connected to device may need to be replaced regularly due to environmental conditions or the lifespan of these parts. Regular maintenance checks are recommended for all users.

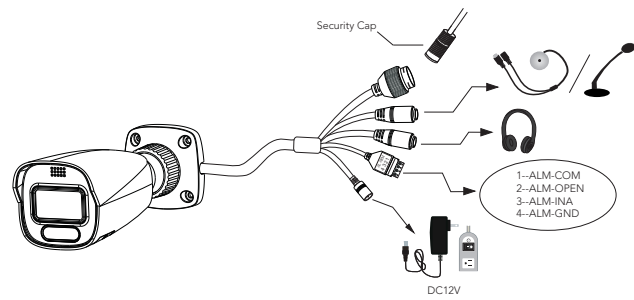
## 2. PACKAGE



## 3. OVERVIEW



1 Ethernet Connector	4 Alarm Input/Output	7 Mounting Base	10 Reset
2 Audio Input Connector	5 Power Connector	8 Fixed Ring	
3 Audio Output Connector	6 Speaker	9 Micro SD Card Slot	



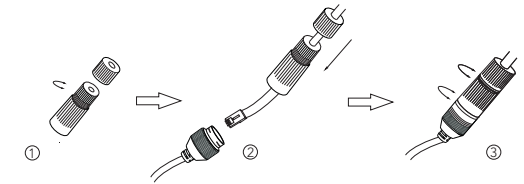
\*1 It is recommended to install the security cap for outdoor installation.  
\*2 This camera can be powered by DC12V/PoE power supply. If the PoE switch is used to power the camera, DC12V power supply is not required.

## ALARM CONNECTION

**Alarm Input:** Join the grounding ends of the sensor and the camera and then connect the signal cable of the sensor to the alarm input port (ALM-INA) of the camera.

**Alarm Output:** Loosen the screws on the Alarm Output port on camera. Then insert the signal wires from the alarm output device(s) into the ports of OPEN and COM accordingly. Make sure to tighten screws and that no conductors are causing any shorts. Some external alarm output devices may need additional voltage provided by an external power supply.

## CONNECTING NETWORK CABLE

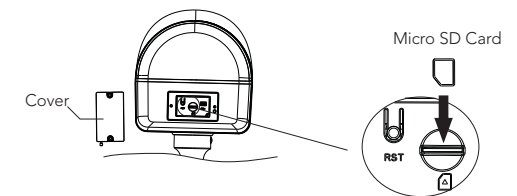


- ① Loosen the nut from the main element.
- ② Run the network cable (without RJ45 connector) through both elements. Then crimp the cable with the RJ45 connector.
- ③ Connect the cable to the female portion of the waterproof connector, then tighten the nut and the main cover.

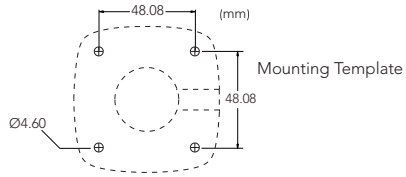
## 4. INSTALLATION

Please ensure that the wall or ceiling where the camera will be mounted is strong enough to withstand 3 times the weight of the camera and at the time of installation, place the camera in a dry environment to ensure no extra moisture is introduced to camera's internal electronics. Do not remove the protective film until the installation is completed.

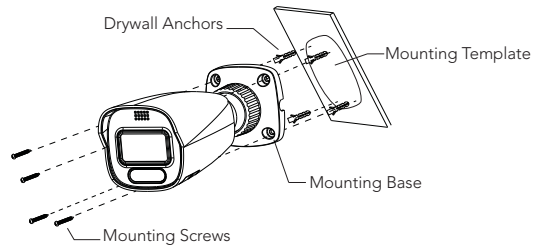
- ① Open the cover of the camera and then insert a micro SD card. Then close the cover and fix it firmly with screws (keep flat while installing).



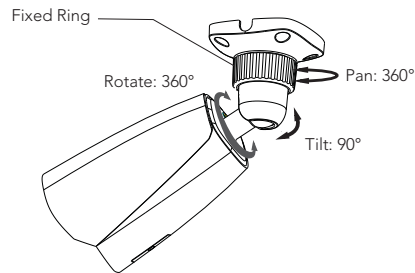
- ② Attach the mounting template to the location where you want to mount the camera and then drill the screw holes and the cable hole on the wall according to the mounting template.



- ③ Route the cables and connect the relevant cables. Then fasten the mounting base to the wall with the screws provided.



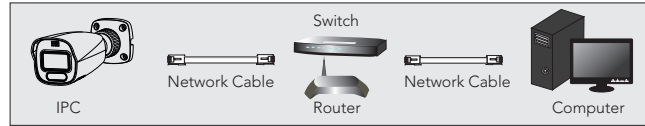
- ④ To adjust the bracket, first preview the image of the camera on a monitor and then loosen the fixed ring to adjust the view angle of the camera.
- ⑤ Tighten the fixed ring in place and installation is completed.



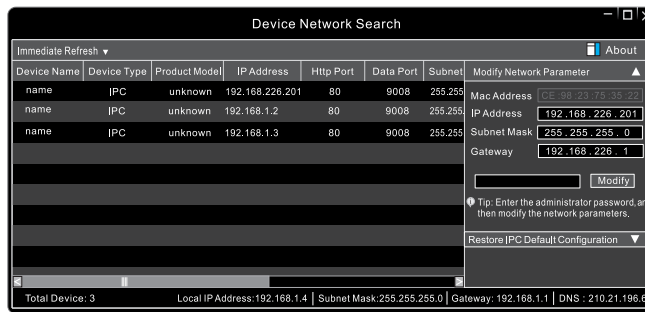
## 5. NETWORK CONNECTION

In LAN, there are two ways to access the camera:

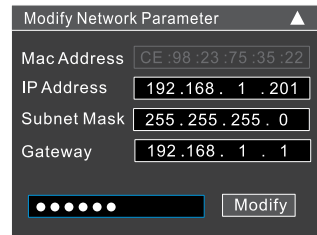
1. Access Through IP-Tool
2. Direct Access Through WEB Browser



- ① Make sure that the camera and the PC are connected to the local network.
- ② Install IP-Tool from the CD and run it after installation.



- ③ Modifying the IP Address: The default IP address of this camera is 192.168.226.201. Click on the row of the camera listed in the above table to show the network information on the right hand. Modify the IP address and gateway of the camera and make sure its network address is in the same local network segment as the recorder's.



For example, if the IP address of your computer is 192.168.1.4, then you will need to modify the IP address of the camera to 192.168.1.x. After modifying, please enter the password of the administrator and click the "Modify" button to modify the IP settings.

**!** The default password of the administrator is "123456"

- ④ Double-click the camera listed in the IP-Tool or manually enter the IP address in the address bar of the web browser to connect IP camera. Then follow directions to download and install the plugin.
- ⑤ Enter the username and password in the login interface.

### DIRECT ACCESS THROUGH WEB BROWSER

- ① Make sure that the camera and the PC are connected via LAN.
- ② Find the IP-Tool from the CD and then install the program onto your computer. Run the IP-Tool program.
- ③ Modify the IP address and make sure its network address is in the same local network segment as the computer's.
- ④ Open your web browser and enter the modified IP address into the address bar to login to the web client. Follow directions to download the plugin to your computer. After that, enter the default username and password to login.