



AVR-NT504C

NDA
COMPLIANT | CE | FC

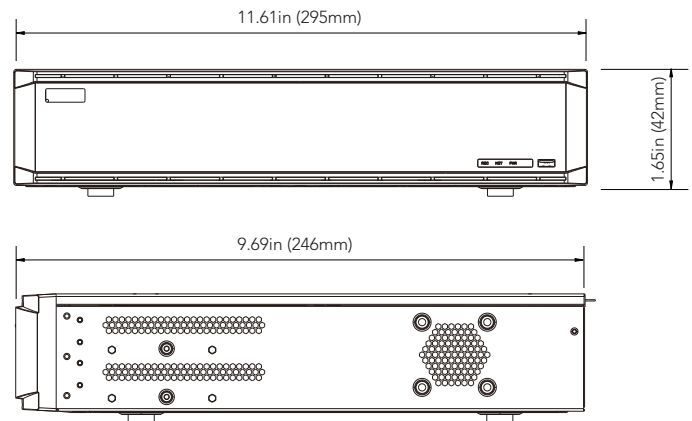
4 CH. HD ALL-IN-ONE DIGITAL
HD-TVI / CVI / AHD / ANALOG / IP ALL-IN-ONE

OVERVIEW

- 5MP Lite / 4MP Lite / 1080P / 960P / 720P / WD1 HD Analog Input
- Add Up to 2 Additional IP Cameras
- H.265 High Profile Compression for High Megapixel on Low Bit Rate
- 4 Channels Simultaneous Playback
- Intuitive GUI (Graphic User Interface) with Windows Style, Easy Mouse Operation
- Multi-Mode Recording: Manual / Timer / Motion / Sensor
- Various Search Features: Time Slice, Manual, Time, Tag and Event (Motion, Alarm, Sensor)
- One-Touch Flexible Backup via USB and Network
- Pentaplex Operation: Live, Record, Playback, Backup and Remote Access
- DHCP, PPPoE Network Protocol, UPnP Auto Port Forwarding
- Supports Multiple Online Users
- Dual Streaming Technology for High Definition Recording and Smooth Video Transmission
- AVYCON / ONVIF® IP Camera Support up to 5MP
- Multi-User Support with Different User Level Management
- HDMI & VGA 2K Output for High Definition Resolution Display
- Full Interactive PTZ Function with OSD Menu, Preset, Scan and Tour
- All-in-One Video Management Software for NVR, DVR and IP Cameras
- Professional HD Mobile App for Apple® and Android® Devices

DIMENSIONS

Unit : inch(mm)



MOBILE APP

AVYCON MOBILE CVMS



REAR PANEL



SPECIFICATIONS

VIDEO	
Video Input (Analog + IP)	Total: 6 CH Analog: 4 CH IP: 2 CH (4 CH Max. IPC Supported When Converting Analog Channels)
Output	HDMI1: 1920 x 1080 / 1280 x 1024 / 1024 x 768 VGA x 1: 1920 x 1080 / 1280 x 1024 BNC x 1: CVBS (Used as Main or Spot Output)
HD-Analog Input Resolution	TVI / AHD: 5MP, 4MP, 1080P, 720P, WD1 Real Time CVI: 1080P, 720P Real Time
IP Input Resolution	5MP Lite / 4MP / 3MP / 1080P / 960P / 720P
Video Compression	Standard H.265
AUDIO	
Network Input	4 Channel IPC Audio Input
Local Output	RCA x 1
2-Way Audio	1 Channel Audio Input
RECORDING	
Resolution	5MP Lite / 4MP Lite / 1080P / 720P / WD1
Frame Rate Channels	5MP Lite: 10fps (PAL / NTSC) 4MP Lite: 12fps (PAL) / 15fps (NTSC) 1080P Lite / 720P / WD1: 25fps (PAL) / 30fps (NTSC)
Frame Rate	25fps(PAL) / 30fps(NTSC)
Bit Rate	32Kbps ~ 5Mbps
Mode	Manual, Timer, Motion, Sensor
PLAYBACK	
Smart Search	Highlight Colors to Display Camera Record in a certain period of time, Different Colors refer to Different Record Events
Search	Time slice / Time / Event / Tag Search
Function	Play, Pause, Fast Forward, Fast Rewind, Digital Zoom, etc.
Simultaneous Playback	Max 16 Channels
ALARM	
Alarm Input	4 Channels Local Alarm Input; IPC Alarm Input Supported
Alarm Output	2 Channels
Alarm Trigger	Record, Snap, Preset, E-mail, etc.
STORAGE	
HDD Interface	SATA x 1, Max 18T per HDD; e-SATA x 1
BACKUP	
Network Backup	Yes
Local Backup	USB Flash Drive, USB Mobile HDD
NETWORK	
Interface	RJ45 10 / 100 Mbps x 1
Protocol	TCP/ IP, PPPoE, DHCP, DNS, DDNS, UPnP, NTP, SMTP
EXTERNAL INTERFACE	
RS-485	Yes, Connect to PTZ or Keyboard
Remote Controller	Optional
USB	USB 2.0 x 1 (Front Panel), USB 2.0 x 1 (Rear Panel)
GENERAL	
Power Supply	DC 12V
Power Consumption	≤12W (Without HDD)
Working Environment	14°~122°F (-10°~50° Celcius)
Working Humidity	10% ~ 90% (Non-Condensing)
Dimensions	11.61" x 1.65" x 9.69" (295mm x 42mm x 246mm)

HDD OPTIONS

- 1TB HDD: AVR-NT504C-1T
- 2TB HDD: AVR-NT504C-2T
- 3TB HDD: AVR-NT504C-3T
- 4TB HDD: AVR-NT504C-4T
- 6TB HDD: AVR-NT504C-6T
- 8TB HDD: AVR-NT504C-8T
- 12TB HDD: AVR-NT504C-12T
- 18TB HDD: AVR-NT504C-18T