

## AVR-NSV32E2N AI

NDA COMPLIANT | TAA COMPLIANT | CE | FC

32 CH. 4K UHD NETWORK VIDEO RECORDER  
8MP / 5MP / 3MP / 2MP / 1080P / 960P / 720P /  
DUAL ETHERNET / DUAL HDMI

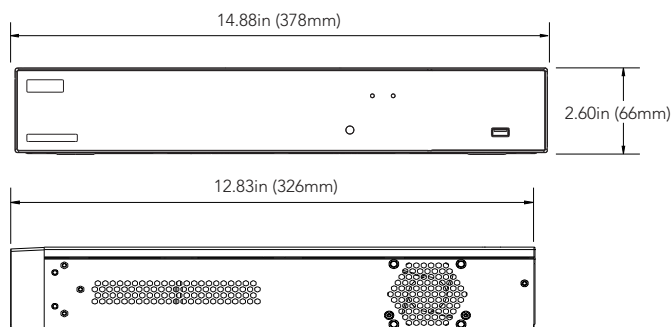


### OVERVIEW

- H.265+ codec decoding
- Max. 256Mbps(32CH) input bandwidth
- Up to 8MP(4K) resolution for preview and playback
- Support to install up to 4 HDDs, up to 20TB per drive
- Full function network remote view via Internet (CMS, IE/Firefox/Chrome, Mac Safari)
- No limitation on adding devices to CMS, max. 128 channels preview (CMSONE)
- Support scan P2P QR code to connect NVR via Mobile app (AVY Mobile One)
- Support to save pictures/video to Dropbox storage (Dropbox)
- Support to save pictures/video to FTP server (built by user)
- 2 x HDMI/VGA Video output, Main HDMI support 4K resolution output up to 4K resolution
- Support HDD S.M.A.R.T. Monitoring
- NDAA compliant

### DIMENSIONS

Unit : inch(mm)



### MOBILE APP

AVY MOBILE ONE



### REAR PANEL



## SPECIFICATIONS

VIDEO	
IP Video Input	32 Channels
Incoming Bandwidth (Mbps)	256Mbps
Outgoing Bandwidth (Mbps)	128Mbps
Video Compression	H.265+/H.265/H.264+/H.264
Audio Compression	G.711A;G.711U
Installation Wizard	Yes
Resolution	8MP, 5MP, 3MP, 2MP(1080P), 1.3MP(960P), 1.0MP(720P)
PLAYBACK	
Playback Frame Rate	4K:60fps 4MP:120fps 2MP:240fps
Supported Smart AI	Face Detection, People / Vehicle Detection, License Plate Recognition, Intrusion, Line Crossing, Object Abandonment, People Counting, Crowd Density Detection, Queue Length Detection, Rare Sound Detection, Object Classification and Fisheye Dewarping
Supported Cameras for AI	Diversity Series Network Cameras
Event Triggers	MD(Sensitivity Level 1~8), Video Loss, Beep, Email, Push Notification to Mobile App
Playback Function	Fast forward / backward (2x, 4x, 8x,16x), Slow forward (1/2x, 1/4x, 1/8x,1/16x)
Playback	Max 16CH Playback
Fisheye	Support
INTERFACE	
Local UI	UI5.0
Web Monitoring	IE10/11, Safari V12.1 above, Firefox V.52 above, Chrome V.57 above, Edge V.79 above
Mobile Viewer	AVY Mobile One
Push Notification	Motion Event, AI, and Abnormal
Reset Button	Factory Reset : Press 10 seconds
HDD Interface	SATA x 4, Max 20TB per HDD
VGA	1 (1024*768, 1280*720, 1280*1024, 1440*900, 1920*1080 )
HDMI 1	1 (1024*768, 1280*720, 1280*1024, 1440*900, 1920*1080 , 3840*2160/EDID)
HDMI 1	1 (1024*768, 1280*720, 1280*1024, 1440*900, 1920*1080) Async output
SYSTEM	
PoE	No
Ethernet	2 x Ethernet 10/100/1000 Base-T
USB	USB 2.0 x 2 (Front & Rear Panel), USB 3.0 x 1 (Rear Panel)
Audio Out	1
E-Sata	1
RS485	1
Line-In	1
Alarm Input/out	16 IN / 1 OUT
GENERAL	
OSD Language	English / French / Spanish / Portuguese / German / Italian / Greek / Danish / Finnish / Russia / Hebrew / Turkish / Bulgarian / Arabic / Korean / Japanese / Thai / Hindi / Romanian / Dutch / Polish
Power Consumption	12W
Power Supply	DC12V/2V
Working Environment	14°F ~ 122°F-10°C~+50°C (14°F ~ 122°F)
Working Humidity	Less than 90%RH (Non-Condensing)
Dimensions	14.88" x 12.83" x 2.60" (378mm x 326mm x 66mm)

## HDD OPTIONS

- 1TB HDD: AVR-NSV32E2N-1T
- 2TB HDD: AVR-NSV32E2N-2T
- 3TB HDD: AVR-NSV32E2N-3T
- 4TB HDD: AVR-NSV32E2N-4T
- 6TB HDD: AVR-NSV32E2N-6T
- 8TB HDD: AVR-NSV32E2N-8T
- 10TB HDD: AVR-NSV32E2N-10T
- 12TB HDD: AVR-NSV32E2N-12T
- 14TB HDD: AVR-NSV32E2N-14T
- 18TB HDD: AVR-NSV32E2N-18T
- 24TB HDD: AVR-NSV32E2N-24T
- 28TB HDD: AVR-NSV32E2N-28T
- 36TB HDD: AVR-NSV32E2N-36T
- 48TB HDD: AVR-NSV32E2N-48T
- 56TB HDD: AVR-NSV32E2N-56T
- 72TB HDD: AVR-NSV32E2N-72T