



AVR-NN832P16-FD

NDAA COMPLIANT | CE | FC

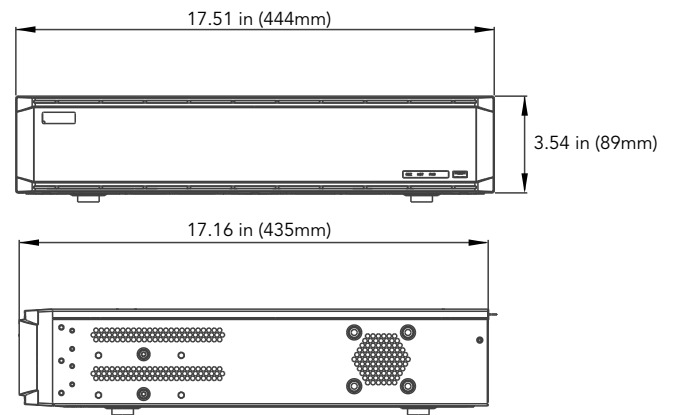
32 CH. 4K UHD NETWORK VIDEO RECORDER
8MP / 5MP / 4MP / 3MP / 1080P / 960P / 720P /
16 PORT PoE NVR

OVERVIEW

- Supports up to 32 Channels (8MP / 5MP / 4MP/ 3MP / 1080P / 960P / 720P) IP Camera Input
- Supports H.265 High Profile Compression
- IFS™ (Inactive Frame Shaving)
- True 4K HDMI Output Display & VGA 1080P High Definition Display
- Multi-Mode Recording: Manual / Scheduled / Motion / Sensor
- Playback: 32 Channels Simultaneous Playback
- Supports Facial Detection and Comparison
- Supports Multiple Video Analytics, such as Missing or Abandoned Object, Region Intrusion, Tripwire, Video Tampering, etc.
- Quick and Easy Backup via USB, Network and Mobile App
- Pentaplex Operation : Live View, Record, Playback, Backup and Remote Access
- Supports DHCP, DDNS, PPPoE and various other Network Protocols
- Compatibility with a Variety of 3rd-Party IP Cameras including ONVIF
- Remote Access via Web Interface or AVYCON CVMS : Live View, Playback, Backup, PTZ, and System Configuration
- Dual Stream Technology allows for High Quality Local Recordings and Standard Quality Video for Mobile and Remote Access
- Allows Simultaneous Online Users to Access Device
- Support PTZ Preset and Auto-Cruise, with Up to 255 Presets and 8 Cruise Paths
- Support NAT Function and QR Code Scanning by Mobile Apps, Eliminating the Need to Configure Port Forwarding
- Powerful Mobile Apps on iOS and Android
- Supports Smart Analytics with xHN Series Cameras (available features depend on camera model)
- NDAA Compliant

DIMENSIONS

Unit : inch(mm)



MOBILE APP

AVYCON MOBILE CVMS



REAR PANEL



SPECIFICATIONS

VIDEO	
IP Video Input	32 Channels IPC
Output	HDMI1: 3840 x 2160 / 1920 x 1080 / 1280 x 1024 VGA x 1: 1920 x 1080 / 1280 x 1024
IP Video Input Resolution	8MP / 5MP / 4MP / 3MP / 1080P / 960P / 720P
Incoming Bandwidth (Mbps)	256Mbps
Outgoing Bandwidth (Mbps)	256Mbps
Video Compression	Standard H.265
AUDIO	
Network Input	32 Channel IPC Audio Input
Local Output	RCA x 1
2-Way Audio	RCA x 1
RECORDING	
Resolution	8MP / 5MP / 4MP / 3MP / 1080P / 960P / 720P
Frame Rate	25fps(PAL) / 30fps(NTSC)
Record Stream	Dual Stream Recording
Mode	Manual, Timer, Motion, Sensor
PLAYBACK	
Smart Search	Recorded Events are Color-Coded to Reflect the Specific Type of Event that was Recorded (Scheduled, Motion, Alarm, Etc.)
Search	Time slice / Time / Event / Tag Search
Simultaneous Playback	Max 32 Channels
ALARM	
Alarm Input	32 Channels Local Alarm Input; 32 Channels IPC Alarm Input Supported
Alarm Output	4 Channels
Mode	Manual, Sensor, Motion, Exception
STORAGE	
HDD Interface	SATA x 8, Max 18T per HDD; e-SATA x 1
BACKUP	
Network Backup	Yes
Local Backup	USB Flash Drive, USB Mobile HDD
NETWORK	
Interface	RJ45 10 / 100 / 1,000 Mbps x 1
PoE Port	RJ45 x 16
Protocol	TCP/ IP, PPPoE, DHCP, DNS, DDNS, UPnP, NTP, SMTP
EXTERNAL INTERFACE	
Remote Controller	Yes
USB	USB 2.0 x 1 (Front Panel), USB 3.0 x 1 (Rear Panel)
GENERAL	
Smart Analytics	Support with xHN Series Cameras (available features depend on camera model)
Smart Events	People/Vehicle Detection, Line Crossing, Object Abandonment, People Counting, Region Entrance, Crowd Density
License Plate Recognition	Supported on v1.4.4 (used with the AVC-NBL21M-L1)
Fisheye Dewarping	Supported (used with the AVC-PHN61FLT)
Power Supply	Supported (used with the latest xHN Series Cameras)
Facial Recognition	ATX
Power Consumption	≤30W (Without HDD)
Working Environment	14°~122°F (-10°~50° Celcius)
Working Humidity	10% ~ 90% (Non-Condensing)
Dimensions	17.51 in x 17.16 in x 3.54 in (444mm x 435mm x 89mm) (W x D x H)

HDD OPTIONS

- 1TB HDD: AVR-NN832P16-FD-1T
- 2TB HDD: AVR-NN832P16-FD-2T
- 3TB HDD: AVR-NN832P16-FD-3T
- 4TB HDD: AVR-NN832P16-FD-4T
- 6TB HDD: AVR-NN832P16-FD-6T
- 8TB HDD: AVR-NN832P16-FD-8T
- 12TB HDD: AVR-NN832P16-FD-12T
- 16TB HDD: AVR-NN832P16-FD-16T
- 18TB HDD: AVR-NN832P16-FD-18T
- 20TB HDD: AVR-NN832P16-FD-20T
- 24TB HDD: AVR-NN832P16-FD-24T
- 28TB HDD: AVR-NN832P16-FD-28T
- 32TB HDD: AVR-NN832P16-FD-32T
- 36TB HDD: AVR-NN832P16-FD-36T
- 42TB HDD: AVR-NN832P16-FD-42T
- 48TB HDD: AVR-NN832P16-FD-48T
- 56TB HDD: AVR-NN832P16-FD-56T
- 64TB HDD: AVR-NN832P16-FD-64T