

**AVM-JB-DUAL-UL1**  
**DUAL-CAMERA-JUNCTION BOX FOR MOTORIZED LENS CAMERAS**

AVM-JB-DUAL-US1 **DUAL-CAMERA-JUNCTION BOX**

AVM-JB-DUAL-UL1 **Dual Camera Junction Box**

DUAL-CAMERA-JUNCTION BOX FOR MOTORIZED LENS CAMERAS



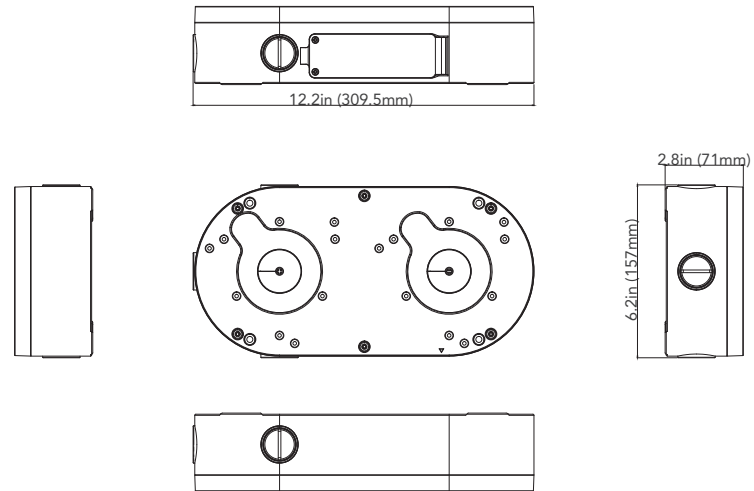
The AVM-JB-DUAL-UL1 is a junction box designed for use with our all Diversity Motorized lens Cameras except Indoor dome and mini dome models. The junction box is with built-in PoE Switch and available connect two compatible cameras of all types using only one cable. The junction box is available for wall or ceiling mounting.

**FUNCTIONS**

- Plastic plus 30% glass fiber
- Built-in PoE Switch
- Compatible with all Diversity Motorized lens Cameras (except Indoor dome and mini dome models.)
- Available for wall or ceiling mounting

**DIMENSIONS**

Unit: inch (mm)



**OPTIONAL ACCESSORIES**



AVM-DUAL-CVR-L1  
 JUNCTION BOX COVER



AVM-DUAL-CVR-L1/S1 required  
 AVM-DUAL-WMT-L1  
 WALL MOUNT



AVM-PT-CMT-PM-L1  
 CEILING MOUNT

**SPECIFICATIONS**

<b>Operating System</b>	
SOC	IP804+IP179NI
<b>Network</b>	
Interfaces	RJ45 ,10/100 ,200MBPOE -LAN+100MBPOE-WAN
LED	N/A
Network management	N/A
IEEE Standard	IEEE 802.3
MAC	3
Uplink port rate	100MP
Downlink port rate	100MP
Exchange capacity	1Gbps
Packet forwarding rate	0.744Mpps
Internal Cache	768Kbits
<b>PoE</b>	
PoE standard	IEEE 802.3at/af, (2 PoE for IPC power by af Max:15W, WAN for switcher power by at Max:30W)
Power supply	Support 1236 powering
PoE port	3 ports (customized cable with 3 waterproof connectors, 2 for IPC, 1 for switcher)
Extend (EPOE)	N/A
Max. port power supply rate	25W
Max. power supply rate of switch	30W
Max. power consumption of switch	5W
<b>General</b>	
shell	Plastic plus 30% glass fiber
Installation method	Wall hanging, ceiling
weight	N/A
Dimension	2.8" x 12.2" x 6.2"
Operating Temperature/Humidity	"Temperature : -22°F~+140°F (-30°C~+60°C), Humidity : Less than 90%RH"
Storage Temperature/Humidity	"Temperature : -40°F~+185°F (-40°C~+85°C), Humidity : Less than 90%RH"
Power Specifications	POE 30W (no electrical port, PoE power supply, connecting PoE switcher and PoE-NVR)
RJ45	4KV
Thunder Prevention	4KV

