



AVM-DRMTS-TL1

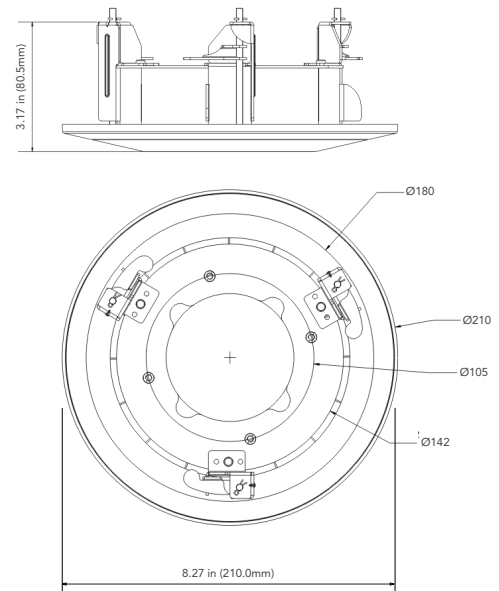
RECESSED CEILING MOUNT FOR FIXED VANDAL DOME CAMERA;
AVC-VHN41FLT/2.8 & AVC-VHN81FLT

OVERVIEW

- SECC & Plastic Material with Surface Spray Treatment
- Recessed Ceiling Mount for Cameras
- Available for Ceiling Mount Only
- Indoor / Outdoor Use

DIMENSIONS

Unit : inch(mm)



SPECIFICATIONS

GENERAL	
Material	SECC & Plastics
Color	White
Working Temperature	-40°C~60°C (-40°F~140°F)
Working Humidity	10~90% (Non-Condensing)
Packing Size	550mm x 280mm x 320mm
Weight	1.2 lbs
Load Bearing	Ceiling = 3X Weight of Camera + Ceiling Mount
Dimensions	8.27"x 3.17" (210.0mm x 80.5mm)