



■ Grey Available:  
AVC-TE51F36-G

## AVC-TE51F36

NDA  
COMPLIANT

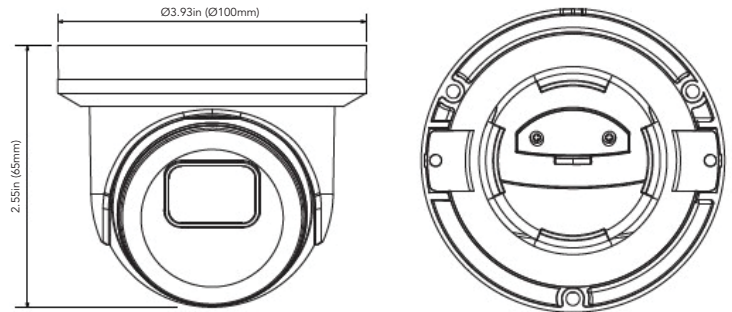
5MP HD-TVI FIXED TURRET CAMERA

### OVERVIEW

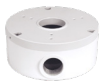
- 5MP (2592 x 1944)
- Fixed 3.6mm Lens
- HD-TVI / CVI / AHD / CVBS (Analog)
- Easy-to-Use DIP Switch to Change Formats
- True Day / Night
- Smart IR Illumination Up to 66ft.
- Digital NR
- DWDR
- IP67 Outdoor Rating
- DC 12V (4W Consumption)
- NDA Compliant

### DIMENSIONS

Unit : inch(mm)



### OPTIONAL ACCESSORIES



AVM-JB-BE-S1  
JUNCTION BOX



AVM-CWM-EV-S2  
WALL MOUNT



AVM-HWM-E-S1  
HEAVY-DUTY WALL MOUNT



AVM-HCM-E-S1  
CEILING MOUNT



AVM-CRM-A1  
CORNER MOUNT



AVM-POM-A1  
POLE MOUNT

## SPECIFICATIONS

CAMERA	
Image Sensor	1/2.7" Progressive Scan CMOS
Resolution	5MP
Image Size	2592 x 1944
Video Output	1-channel BNC Video Output
Image System	PAL / NTSC
Electronic Shutter	1/15s to 1/50,000s
IR Distance	Up to 66ft.
Video Formats	HD-TVI / ADH / CVI / CVBS (Analog)
Frame Rate	5AHD/5TVI: 5MP @20fps (NTSC / PAL), AHD/CVI/TVI: 4MP @30fps (NTSC) / @25fps (PAL), 2MP @30fps (NTSC) / @25fps (PAL)
Min. Illumination	0.05lux@F1.2(AGC ON),0Lux with IR ON
Lens	Fixed 3.6mm Lens
Lens Mount	M12
Horizontal Field of View	87.4°
S/N Ratio	39dB
Function Control	OSD, Control over Coax (UTC)
IMAGE	
Day & Night	EXT / Auto / Color / BW ( Black and White)
Digital WDR	Yes
Digital NR	Yes (2D DNR)
Auto Gain Control ( AGC)	Yes
Auto White Balance (AWB)	Yes
Backlight Compensation (BLC)	Yes
Edge Brightness Compensation	Yes
Defog	No
HLC	No
Sharpness	Yes
Mirror Image	Yes
Smart IR (Anti-SAT)	Yes
Image Setting	Yes
Defect Correction	Auto / Manual
GENERAL	
Angle Adjustment	Any Angle
Input Voltage	DC 12V (±10%)
Power Consumption	Maximum 4W
Ingress Protection	IP67
Working Environment	-22F - 131F (-30°~55° Celcius)
Dimensions	Ø3.93" x 2.55" (Ø100mm x 65mm)