



## AVC-TBL52M50

NDAA COMPLIANT | CE | FCC

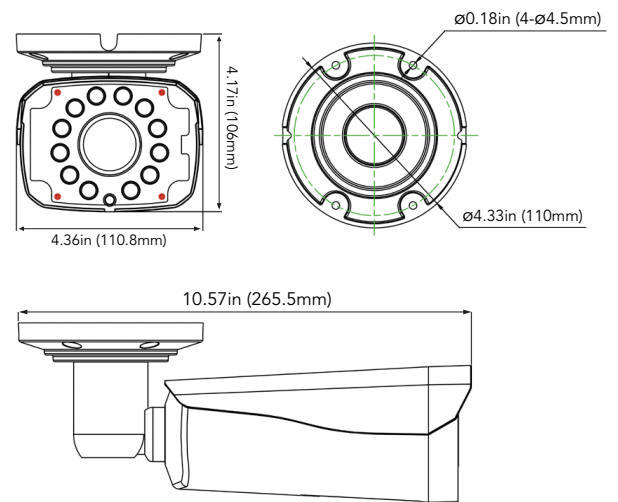
5MP HD LPR BULLET CAMERA

### OVERVIEW

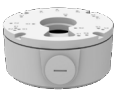
- 1/2.8" 5M Progressive Scan Sony CMOS
- Supports four video signal output (5MP TVI / 5MP AHD / 4MP CVI / 960H CVBS), default video output is TVI
- 12PCs Super High Power IR LEDs
- IR Range: Up to 150ft
- 6-50mm Motorized Varifocal IR Lens
- Support Dip switch for signal changes
- Features: Defog, BLC, HLC, WDR, DNR, SENS-UP, MOTION, MIRROR, PRIVACY, UTC, DC12V & AC24V
- IP67 Certification
- Product designed by AVYCON in California

### DIMENSIONS

Unit : inch(mm)



### OPTIONAL ACCESSORIES



AVM-JB-BL-R1  
JUNCTION BOX

## SPECIFICATIONS

CAMERA	
Image Sensor	1/2.8" 5M Progressive Scan Sony CMOS
Resolution	5MP
Image Size	2688x1944
Video Output	HD-TVI (AHD / CVI / CVBS)
Image System	PAL: 50Hz / NTSC: 60Hz
S/N Ratio	≥56dB
IR Distance	Up to 150ft
Min. Illumination	0 Lux (with 12pcs high power LED on)
Lens	6-50mm Motorized Varifocal IR Lens
Electronic Shutter	NTSC: 1/30-1/30,000SP AL: 1/25-1/30,000S
Filter	Removable IR Cut Filter
IMAGE	
Day & Night	AUTO / Color / BW / Ext
WDR	OFF/ON
DNR	OFF / LOW / MIDDLE / HIGH
Auto Gain Control ( AGC)	ON
White Balance	AUTO / AUTOext / PRESET / MANUAL
Backlight Compensation (BLC)	OFF/ON
Defog	OFF/ON
HLC	OFF/ON
MOTION	OFF/ON
MIRROR	OFF/ON
Gamma	0.45
GENERAL	
Scanning System	Progressive
Privacy	16 region
MECHANICAL	
IP Rating	IP67
Power Supply	DC12V & AC24V
Current Consumption	DC12V: 910mA (MAX), AC24V: 410mA (MAX)
Dimension	10.6 x 4.4 x 4.2in (268.5 x 111 x 107mm)
Weight	2.87lbs (1300g)
Storage Temperature	-22~+140°F (-30~+60°C)
Operating Temperature	-22~+104°F (-30~+40°C)