



# AVC-NLE21F28

NDA  
COMPLIANT | CE | FC

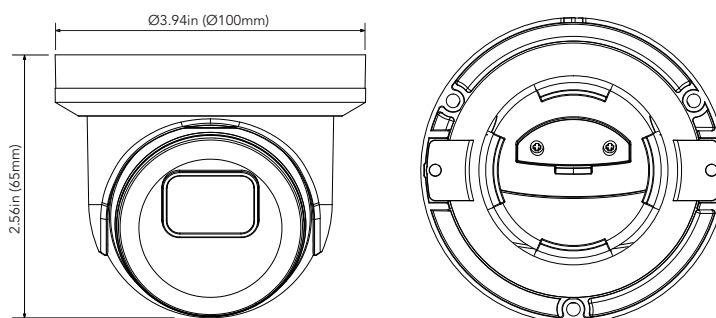
2MP H.265 FIXED EYEBALL NETWORK CAMERA

## OVERVIEW

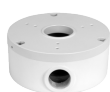
- 2MP (1920x1080) @ 30fps
- Max. resolution: 1920x1080
- Supports Smart H.265/H.264 Encoding
- Day & Night AUTO ICR
- Fixed 2.8mm Lens (F2.2)
- 3D DNR, D-WDR, HLC, BLC, ROI encoding
- Built-in micro SD card slot, up to 256GB
- Built-in MIC
- IP67 ingress protection
- DC12V/PoE power supply
- Support remote monitoring by AVYCON ONE (Mobile APP) and AVYCON CMSONE (CMS)

## DIMENSIONS

Unit : inch(mm)



## OPTIONAL ACCESSORIES



AVM-JB-BE-S1  
JUNCTION BOX



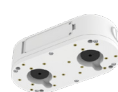
AVM-CWM-EV-S1  
COMPACT  
WALL MOUNT



AVM-HWM-E-S1  
WALL MOUNT  
WITH JUNCTION BOX



AVM-HCM-E-S1  
CEILING MOUNT  
WITH JUNCTION BOX



AVM-JB-DUAL-US1  
DUAL JUNCTION BOX



AVM-POM-A1  
POLE  
MOUNT BRACKET



AVM-CRM-A1  
CORNER  
MOUNT BRACKET

## SPECIFICATIONS

VIDEO	
Imaging Device	1/2.7" Progressive CMOS
Resolution	Main Stream: 1920x1080 Sub Stream: 640x480
Max. Framerate	Main Stream: Max. 30fps/25fps (60Hz/50Hz) Sub Stream: Max. 20fps (60Hz/50Hz)
Min. Illumination	Color: 0.006 lux @ F1.6 (AGC on) B/W: 0 lux (IR LED on)
Compression	Video: H.265/H.264 Main Profile Audio: G.711a / G.711u
Bitrate Control	CBR or VBR (256Kbps ~ 4Mbps)
LENS	
Focal Length (Zoom Ratio)	2.8mm Fixed
Max. Aperture Ratio	F2.2
Angular Field of View	Horizontal: 103°, Vertical: 55°, Diagonal: 126°
Min. Object Distance	2.62ft (0.8M)
Focus Control	N/A
Lens Type	Fixed (M12)
PAN / TILT / ROTATE	
Pan / Tilt / Rotate Adjustment	Manual Adjustment
OPERATIONAL	
Camera Title	Title Displayed up to 32 characters
Day & Night	AUTO (ICR)
Exposure Compensation	BLC, HLC, D-WDR
Digital Noise Reduction	3D DNR
Digital Image Stabilization	N/A
Motion Detection	Rectangle Grid (8 Levels of Sensitivity)
Privacy Masking	4 Rectangle Zones
Gain Control	AUTO
White Balance	AUTO / MANUAL
LDC	N/A
Electronic Shutter Speed	AUTO / Manual (1/5 ~ 1/20000s)
Video Rotation	Flip / Mirror
Analytics	N/A
Alarm I/O	N/A
Alarm Triggers	Motion, Sound Detection
Alarm Events	Notification via E-mail, Image file upload via FTP, Image file upload to Cloud (Dropbox), Micro SD recording at event triggered
Audio In	Built-in MIC
Audio Out	N/A
IR Viewable Length	98ft (30M)
NETWORK	
Ethernet	RJ45 (10/100BASE-T)
Streaming	Unicast / Multicast
Protocol	TCP/IP, HTTP, DHCP, DNS, DDNS, RTP/RTSP, SMTP, NTP, UPnP, SNMP, HTTPS, FTP
Security	Login Authentication, IP Address Filtering, User access log
Application Programming Interface	ONVIF Profile S/G/T, REST API
GENERAL	
Webpage Language	English, Korean
Edge Storage	Micro SD/SDHC/SDXC Slot (256GB)
Memory	N/A
ENVIRONMENTAL & ELECTRICAL	
Operating Temperature / Humidity	-31°~140°F (-35°~+60°C) / less than ≤ 95% RH
Storage Temperature / Humidity	
Certification	IP67
Input Voltage	PoE (IEEE802.3at) / 12VDC
Power Consumption	Max. 2.5W (IR LED off) Max. 5W (IR LED on)
MECHANICAL	
Color / Material	White / Metal
Product Dimensions / Weight	Ø3.94x2.56in (100x65mm) / 0.91lbs (415g)
DORI (EN62676-4 STANDARD)	
Detect (25PPM / 8PPF)	
Observe (63PPM / 19PPF)	
Recognize (125PPM / 38PPF)	
Identify (250PPM / 76PPF)	