



## AVC-NDV51F28 AI

NDA  
COMPLIANT | CE | FC

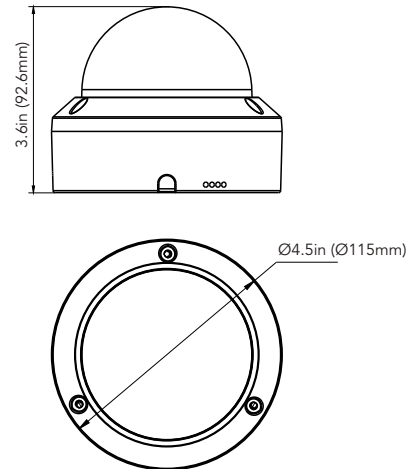
5MP H.265 FIXED VANDAL DOME NETWORK CAMERA  
Active Deterrence 24/7 Color

### OVERVIEW

- 5MP (2880x1620) H.265+/H.264+/MJPEG
- Max. resolution: 2880x1620
- Full Color / Active Deterrence Camera
- 2.8mm Fixed Lens (F1.0)
- 3D DNR, WDR, HLC, BLC, ROI encoding
- Intelligent Analytics
- White Light LED / Strobe (Blue & Red) Light
- Built-in MIC / Speaker
- Built-in micro SD card slot, up to 256GB
- IP67 ingress protection
- DC12V/PoE power supply
- Support remote monitoring by AVYCON ONE (Mobile APP) and AVYCON CMSONE (CMS)

### DIMENSIONS

Unit : inch(mm)



### OPTIONAL ACCESSORIES



AVM-JB-VG-S3  
JUNCTION BOX



AVM-CWM-VG-S3  
COMPACT  
WALL MOUNT



AVM-HWM-VG-S3  
WALL MOUNT  
WITH JUNCTION BOX



AVM-RM-V-S1  
RECESSED  
CEILING MOUNT

## SPECIFICATIONS

CAMERA	
Imaging Device	1/2.7"
Effective Pixels	5MP 2880 (H) x1620 (V)
Scanning System	Progressive CMOS
Min. Illumination	Color 0.002lux @ F1.0(AGC ON) ; B/W 0 lux @ IR ON
LENS	
Focal Length (Zoom Ratio)	2.8 mm
Max. Aperture Ratio	F No. 1.0
Angular Field of View	Horizontal:110° , Vertical:58° , Diagonal: 132°
Min. Object Distance	2m
Lens Type	Fixed(M12)
OPERATIONAL	
IR LED	2
WarmLight	2
Red Blue Light	2 (1 Red&1 Blue)
IR Viewable Length	Up to 65ft (20m)
WarmLight Viewable Length	Up to 65ft (20m)
Type of complementary light	Default warm light, switchable infrared light
Motion Detection	Off/On (8 Level)
Wide Dynamic Range	WDR
Digital Noise Reduction	3D DNR
Image Setting	Full Color Mode/Day&Night Mode/Smart Illumination
White Balance	Auto/Manual
Electronic Shutter Speed	1/5 ~ 1/20000s
On-Board Storage	Micro SD slot, up to 256GB
Alarm	NA
Audio	Built-in microphone&Speaker
Custom Voice	Yes
Hardware Reset	Yes
Analytics	Face Detection, Human & Vehicle Detection, Intrusion Detection, Tripwire Detection, Stationary Object Detection, Tripwire Count, Heat Map, Crowd Density Detection, Queue Length Detection, License Plate Detection, Rare Sound Detection, Loitering Detection, Region Entrance Detection, Region Exiting Detection
NETWORK	
Ethernet	RJ45(10/100BASE-T)
Video Compression Format	H.265/H.264
Resolution	Main Stream@30fps: 5MP(2880x1620), 4MP(2560x1440), 3MP(2304x1296), 1080P(1920x1080), 720P(1280x720) Sub Stream@30fps: 720P(1280x720), VGA(640x480), QVGA(320x240) Mobile Stream@30fps: VGA(640x480), QVGA(320x240)
Video Quality Adjustment	256Kbps ~ 8Mbps
Bitrate control method	CBR/VBR
IP	IPv6
Protocol	TCP/IP, HTTP, DHCP, DNS, DDNS, RTP/RTSP, SMTP, NTP, UPnP, SNMP, HTTPS, FTP
Security	IP address filter;complicated password;Authenticated username and password
Application Programming Interface	ONVIF( Profile S/G/T/M)
Web Viewer	IE10/11, Safari V12.1 above, Firefox V.52 above, Google Chrome V.57 above, Edge V.79 above
ENVIRONMENTAL	
Operating Conditions	-31~+160°F (-35~+60°C)/less than ≤ 90% RH
Ingress Protection	IP67
ELECTRICAL	
Input Voltage / Current	D12V/POE(IEEE802.3af)
Power Consumption	DC12V : max 6.3W ; POE (48V): max 7.6W
MECHANICAL	
Material	Metal
Dimensions	Ø4.5 x 3.6in (Ø115 x 92.6mm)
Weight	TBA