

AVC-NCMS321M04 **AI**

NDA
COMPLIANT | **CE** | **FC**

32MP H.265 MULTI-SENSOR NETWORK CAMERA
24/7 Color 360° Multi-Directional

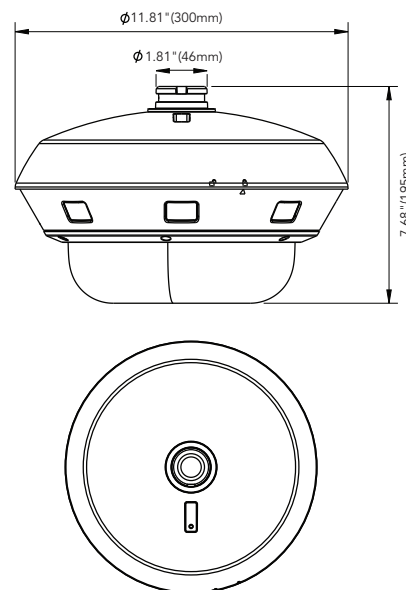


OVERVIEW

- 4K (8MP) x 4ch multi-directional, each sensor manually adjustable
- 30fps@8MP (3840x2160) H.265, H.264, MJPEG, Multi-streaming
- 4 of 2.8-12mm motorized autofocus lens
- 3D DNR, WDR, HLC, BLC, Smart IR, ROI encoding
- Intelligent Analytics
- Max. 98ft(30M) IR night view distance
- White Light LED Max. 49ft(15M)
- 24VAC / 12VDC / PoE+ Power
- IP67 ingress protection, IK10
- Built-in micro SD card slot, up to 256GB
- Support three streams
- Support remote monitoring by AVYCON ONE (Mobile APP) and AVYCON CMSONE (CMS)

DIMENSIONS

Unit : inch(mm)



OPTIONAL ACCESSORIES



AVM-PT-WMT-PM-L1
(included)
WALL MOUNT



AVM-PT-CMT-PM-L1
CEILING MOUNT



AVM-CRM-A1
CORNER MOUNT
BRACKET



AVM-P-POM-A2
POLE MOUNT
BRACKET

SPECIFICATIONS

CAMERA	
Imaging Device	1/1.8" Progressive CMOS
Resolution	Main Stream : 3840x2160, 3072x1728, 2592x1944, 2592x1520, 2304x1296, 1920x1080, 1280x960, 1280x720 Sub Stream : 1280x720, 640 x 480
Max. Framerate	Main Stream: Max. 25fps(60Hz/50Hz) Sub Stream: Max. 25fps (60Hz/50Hz)
Min. Illumination	Color : 0.006lux @ F1.2(AGC on), B/W 0 Lux (IR LED on)
Video Out	N/A
LENS	
Focal Length (Zoom Ratio)	4 of 2.8-12mm motorized autofocus lens
Max. Aperture Ratio	F1.3
Angular Field of View	Horizontal: 112°~ 48°, Vertical: 58°~27°, Diagonal: 138°~55°
Min. Object Distance	2.62ft (0.8M) (Wide) ~ 3.28ft (1M) (Tele)
Focus Control	Auto
Lens Type	Φ16.7
PAN / TILT / ROTATE	
Pan / Tilt / Rotate Range	Manually adjustable lens -180° to 180°/ 0° to 135° / 0° to 355°
OPERATIONAL	
Camera Title	Title displayed up to 32 characters
Day & Night	AUTO (ICR) / Full Color Mode
Backlight Compens	BLC, HLC, WDR
Digital Noise Reduction	3D DNR
Digital Image Stabilization	N/A
Motion Detection	Rectangle Grid (8 Levels of Sensitivity)
Privacy Masking	4 Rectangle Zones
Gain Control	AUTO
White Balance	AUTO / MANUAL
LDC	N/A
Electronic Shutter Speed	AUTO / Manual (1/5 ~ 1/20000s)
Video Rotation	Flip / Mirror
Analytics	Face Detection(FD)Pedestrian&Vehicle Detection(PD&VD)Intrusion Detection(ID) Line Crossing Detection(TD)Tripwire Counting(TC)Stationary Object Detection(OBJ) Heat Map(HM)Crowd Density Detection(CD)Queue Length Detection(QD) License Plate Detection(LPR)Rare Sound Detection(RSD)
Alarm I/O	2 Inputs / 2 Outputs
Alarm Triggers	Motion, Sound Detection
Alarm Events	Warning Light, Notification via E-mail, Image file upload via FTP, Video file upload via FTP, Image file upload to Cloud (Drobox), Video file upload to Cloud (Dropbox), Micro SD recording at event triggered, Event Push via HTTP / UDP
Audio In	1 Line-In (RCA)
Audio Out	1 Line-Out (RCA)
IR Viewable Length	IR Max. 98ft (30M) / White Light LED Max. 49ft(15M)
NETWORK	
Ethernet	RJ45(10/100/1000 BASE-T)
Video Compression	H.265+/H.265 Main Profile, H.264+/H.264 High Profile,MJPEG(Sub Stream Only)
Audio Compression	G.711a / G.711u
Bitrate Control	CBR or VBR (256Kbps ~ 16Mbps)
Streaming	Unicast/Multicast
Protocol	TCP/IP,HTTP,DHCP,DNS,DDNS,RTP/RTSP,SMTP,NTP,UPnP,SNMP,HTTPS,FTP
Security	Login Authentication, IP Address Filtering, User access log
Application Programming Interface	ONVIF Profile S/G/T, REST API
GENERAL	
Webpage Language	English, Korean
Edge Storage	Micro SD/SDHC/SDXC Slot (256GB)
Memory	N/A
ENVIRONMENTAL & ELECTRICAL	
Operating Temperature / Humidity	-22 ~ 131 F (-30 ~ +55°C) / less than ≤ 95% RH
Storage Temperature / Humidity	-22 ~ 131 F (-30 ~ +55°C) / less than ≤ 95% RH
Certification	IP67, IK10
Input Voltage	56VDC, 60W PoE+ Injector Included / PoE+(IEEE802.3at) /24VAC / 12VDC
Power Consumption	Max. 43W
MECHANICAL	
Color / Material	Alloy
Product Dimensions / Weight	11.8" x 7.7" (300mm x 195mm) / 4.6kg
DORI (EN62676-4 STANDARD)	
Detect (25PPM/ 8PPF)	
Observe (63PPM/ 19PPF)	
Recognize (125PPM/ 38PPF)	
Identify (250PPM/ 76PPF)	