



AVC-ENN41AVT-AI-SL

NDA
COMPLIANT

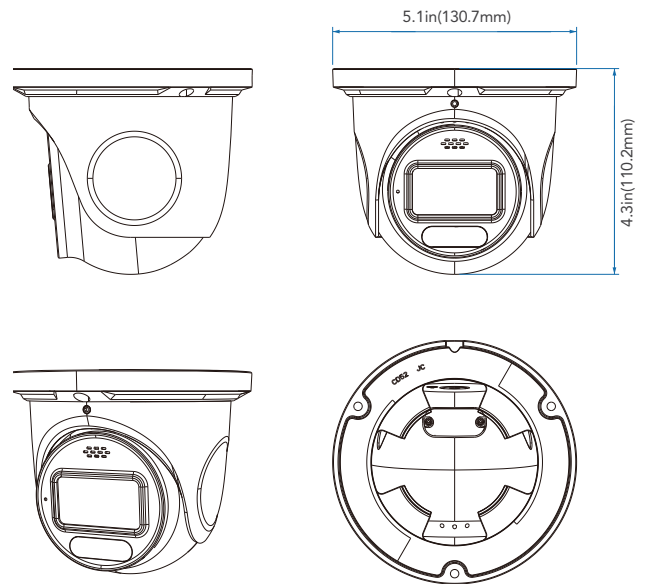
4MP SMART DEFENDER EYEBALL IP CAMERA

OVERVIEW

- H.265+ / H.265 / H.264+ / H.264 / MJPEG coding
- Max. Resolution: 4MP (2560 x 1440)
- ICR auto switch, True Day/Night vision
- IR Illumination up to 164ft
- 3D DNR, True WDR, HLC,BLC, Defog, Smart IR and ROI encoding
- Support motorized zoom lens
- Support image distortion correction
- Built-in micro SD card slot with video and still image capture function (up to 256GB)
- DC12V / PoE power supply
- IP67 Ingress Protection
- Support Three Stream
- Support remote monitoring by smart phones & tablet PCs with iOS and Android OS
- Intelligent Analytics
- NDA Compliant

DIMENSIONS

Unit : inch(mm)



OPTIONAL ACCESSORIES



AVM-EDMT-W-TL1
JUNCTION BOX



AVM-EWMT-W-TL1
WALL MOUNT

SPECIFICATIONS

CAMERA				
Image Sensor	1/3" Progressive Scan CMOS			
Image Size	2592 x 1520			
Electronic Shutter	1/2s to 1/100,000s			
Iris Type	DC Iris			
Min. Illumination	Color: 0.005 lux @ F1.6(AGC ON); BW: 0 lux with IR			
IR Distance	Up to 164ft. (50m)			
Lens	Motorized 2.8 - 12 mm @ F1.4 Horizontal FoV: 98° ~ 29° Vertical FoV: 54° ~ 16° Diagonal FoV: 118° ~ 32°			
Focus	Motorized			
Lens Mount	Ø14			
Day & Night	ICR			
Wide Dynamic Range	120db			
Digital NR	3D DNR			
Backlight Compensation (BLC)	Yes			
Highlight Compensation (HLC)	Yes			
Defog	Yes			
S/N Ratio	≥50dB			
Angle Adjustment	Pan: 0°~360° ; Tilt: 0°~75° ; Rotation:0°~360°			
VIDEO IMAGE				
Video Compression	Main stream: H.265+ / H.265 / H.264+ / H.264 Sub/third stream: H.265+ / H.265 / H.264+ / H.264 / MJPEG			
H.264 Compression Standard	Baseline Profile/Main Profile/High Profile			
Resolution	4MP (2592 × 1520), 2K (2560 × 1440), 3MP (2304 × 1296), 1080P (1920 × 1080), 720P (1280 × 720), D1, CIF, 480 × 240			
Main Stream	60Hz: 4MP/2K/3MP/1080P/720P (1~30fps); 50Hz: 4MP/2K/3MP/1080P/720P (1~25fps)			
Sub Stream	60Hz: 720P/D1/CIF (1~30fps); 50Hz: 720P/D1/CIF (1~25fps)			
Third Stream	60Hz: D1/480x240/CIF (1~30fps); 50Hz: D1/480x240/CIF (1~25fps)			
Video Bit Rate	64 Kbps ~ 8 Mbps (CBR / VBR Adjustable)			
Image Settings	ROI, Saturation, Brightness, Hue, Contrast, Wide Dynamic, Sharpness, Image Mirror, Image Flip, NR, etc. adjustable through client software or web browser			
ROI	Each ROI to be configured separately			
NETWORK / INTERFACE				
Network	1 x RJ45 10M / 100M Self-Adaptive Ethernet port			
Network Protocol	UDP, DHCP, NTP, RTSP, PPPoE, DDNS, SMTP, FTP, SNMP, HTTP, 802.1x, UPnP, HTTPs, HTTP POST, QoS			
Interface Protocol	ONVIF			
Web Browser	IE11 (Plug-in required) / Google Chrome 89.0+ / Edge 89.0+ / Firefox 87.0+ / Safari 14.0+			
Online Connection	Support simultaneous monitoring for up to 10 users; Support multi-stream real time transmission			
Security	Video encryption, firmware encryption, HTTPs encryption, configuration encryption, illegal login lock, IP address filtering, 802.1x authentication, basic and digest			
Storage	Micro SD/SDHC/SDXC Slot (up to 256GB) with video and still image capture function			
Video Output	No			
Audio	1CH built-in speaker; 1CH built-in MIC			
Audio Compression	G711A / U			
Alarm	1CH alarm input; 1CH alarm output			
Hardware Reset	Yes			
DORI DISTANCE				
Lens	Detect	Observe	Recognize	Identify
2.8 ~ 12mm (W)	195.73ft (59.66m)	78.31ft (23.87m)	39.14ft (11.93m)	19.58ft (5.97m)
2.8 ~ 12mm (T)	709.67ft (216.31m)	283.85ft (86.52m)	141.92ft (43.26m)	70.96ft (21.63m)
FUNCTION				
Remote Monitoring	Web Browser Interface, Mobile App, AVYCON CVMS 2.0			
Smart Alarm	Motion detection, sensor alarm, SD card error, SD card full, IP address conflict, cable disconnection, light alarm, audio alarm			
Smart Analytics	Line crossing (human/vehicle classification), region intrusion/entrance/exiting detection (human/vehicle classification), illegal parking detection, abandoned/missing object detection, Target counting by line/intrusion area/heat map, exception detection, face detection and face capture			
Video Metadata	Simultaneously captures human body, motor vehicle and non-motor vehicle and extracts 13 human features, 5 motor vehicle features and 1 non-motor vehicle feature			
General Function	Watermark, video mask, heartbeat, image distortion correction, corridor pattern			
GENERAL				
Power Supply	DC12V / PoE (IEEE802.3af)			
Power Consumption	<12.5W			
Operating Environment	-22°F ~ 140°F (-30°C ~ 60°C) Humidity: less than 95% (non-condensing)			
Storage Environment	-22°F ~ 149°F (-30°C ~ 65°C) Humidity: less than 95% (non-condensing)			
Dimensions (in)	Ø 4.39 × 3.92			
Weight (lb)	Approx. 1.41 lbs			
Ingress Protection	IP 66			
Certificate	CE, FCC			
Installation	Ceiling mounting; Wall mounting			
Environmental Protection	Complies with Directive EU RoHS, WEEE(2012/19/EU), directive 94/62/EC and REACH (EC1907/2006)			