



ANCP3005Q

NDA
COMPLIANT | CE | FCC

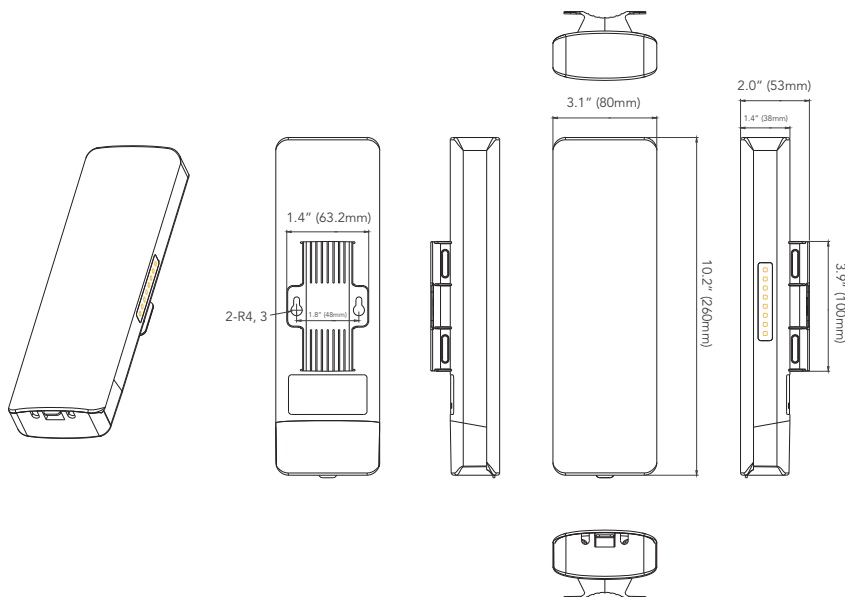
PROFESSIONAL WI-FI CPE NETWORK BRIDGE

OVERVIEW

- High Power Indoor/Outdoor CPE with Qualcomm® Atheros Chipset
- Range up to 6 miles away with line of sight
- Can be used to connect remote IP cameras to existing NVR's / DVR's
- Supports up to 300Mbps
- Utilizes the 5.8Ghz Wi-Fi frequency, avoiding the congested 2.4Ghz bandwidth in use on most Wi-Fi today.
- Dual 14dBi antennas
- Supports the following operation modes: Bridge, Access Point, Router and Repeater
- Supports providing PoE power to a single IP camera attached to CPE
- Includes 48V PoE power injector which allows for powering CPE from up to 330ft. away
- LEDs provide information about system status and signal strength for alignment in Bridge mode
- Hardware Reset button
- Outdoor Rated down to -40°F
- Supports Pole, Wall or Rack Mounting

DIMENSIONS

Unit : inch(mm)



OPTIONAL ACCESSORIES



AVM-ANCPM-U1
UNIVERSAL MOUNTING
BRACKET FOR CPE BRIDGE

SPECIFICATIONS

GENERAL	
CPU	Qualcomm AR9344 560Mhz CPU SE2576L PA Chipset - 64MB DDR2 / 16MB SPI
Antenna	Integrated Dual 14 dBi Antennas
Wi-Fi Standards	IEEE802.11a/n
Security	WPA, WPA2-AES or WPA2-PSK
RF Output Power	200mW (23dBm)
RF Sensitivity	-96dBm
RF Frequency	802.11a/n: 5.180Ghz - 5.825Ghz
Bandwidth	300Mbps
Physical Ports	1 x 10/100 Mbps WAN Ethernet Port 1 x 10/100 Mbps LAN Ethernet Port 1 x Toggle switch for PoE output for IPC 1 x Reset Button
Ingress Protection	IP66
LED Indicators	Power / WAN / LAN / Wi-Fi Level Signal Strength
Power	PoE 802.3at/af Adapter: 48V PoE Power Adapter
Power Consumption	<8W
Installation Methods	Pole Mounting, Wall Mounting or Rack Mounting
Product Dimensions	10.2" x 3.1" x 2.1" (262mm x 80mm x 53mm)
Net Weight	0.7lbs
Working Environment	-40°F ~ 131°F / 10% ~ 90% RH, Non-condensing
Storage Environment	-58°F ~ 167°F / 5% ~ 90% RH, Non-condensing