



AVR-NT832A

NDAA COMPLIANT | CE | FC

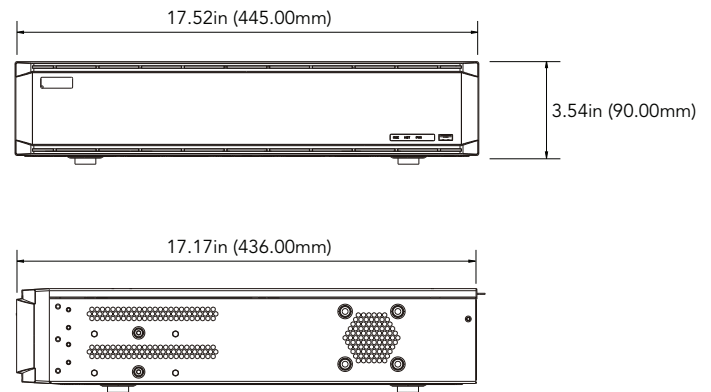
H.265 8 MEGAPIXEL HD DIGITAL VIDEO RECORDER
8MP / 5MP / 4MP / 3MP / 1080P / 960P / 720P / ANALOG
HD OVER COAX & UTP

OVERVIEW

- 32 CH TVI / AHD / CVI 8MP / 5MP / 4MP / 3MP / 1080P / 720P / WD1 video input
- 32 CH DVR supports 8 CH 8MP / 5MP / 4MP / 3MP / 1080P / 960P / 720P IP video input
- 8 CH analog video input can be switched to 8 CH IP video input
- Adopt standard H.265 high profile compression format to get high-quality video at much lower bit rate
- Intuitive and user-friendly Graphics User Interface (GUI), window style operation by mouse
- Multi-mode recording: manual / timed / motion / sensor / AI recording
- Playback: 16 CH simultaneously playback
- Search: time slice, time, event, tag and smart search
- Express and flexible backup via USB, network and so on
- Supports local preview, record, playback and backup
- DHCP, DDNS, PPPoE network protocol
- Remote control via Web Client or CMS: preview, playback, backup, PTZ and configuration
- Multi-user online simultaneously
- Authorization management, log review and device status review
- 4K output, true high resolution display
- Support PTZ preset and auto cruise, up to 255 presets and 8 cruises
- Supports RAID 0, 1, 5, 6, 10
- Support NAT function and QRCode scanning by mobile phones
- Powerful mobile surveillance by smart phones with iOS and Andriod OS
- NDAA Compliant

DIMENSIONS

Unit : inch(mm)



MOBILE APP

AVYCON MOBILE CVMS



REAR PANEL



SPECIFICATIONS

| | |
|------------------------------------|---|
| VIDEO | |
| System | OS Embedded Linux |
| Analog Video Input | BNC × 32 BNC interface (1.0Vp-p; 75Ω) TVI/AHD/CVI : 4K@15fps; 5MP@20fps; 4MP/3MP/1080P/720P/WD1@25fps/30fps (live) |
| IP Video Input | 8CH (up to 16CH)Up to 8MP @ 30fps |
| Total Input | 40 CH |
| Output | HDMI 1 : 3840 × 2160 / 1920 × 1080 / 1280 × 1024 HDMI 2 : 1920 × 1080 / 1280 × 1024 / 1024 × 768 VGA × 1 : 1920 × 1080 / 1280 × 1024 BNC × 1 : CVBS (used as the main or spot output) |
| Video Compression | H.264 / H.265 |
| Multi-screen Display | Main output: 1/4/6/8/9/13/16/25/32/36 AUX. output:1/4/6/8/9 Total output: 36+9 |
| AUDIO | |
| Audio Input | RCA × 16 |
| Audio Output | RCA × 1 (linear, 600 Ω) |
| Two-way Audio | Take up channel one audio input |
| Audio Compression | G.711(U/A) |
| RECORDING | |
| Record Resolution | 4K/4K Lite / 5MP/5MP Lite/4MP/4MP Lite/3MP/1080P/1080P Lite/720P/WD1/D1 |
| Record Frame Rate | Analog Channel: 4K@8fps(NTSC/PAL); 4K Lite@15/12fps(NTSC/PAL); 5MP @12fps (NTSC/PAL); 5MP Lite@20fps(NTSC/PAL); 4MP/3MP@15/12fps (NTSC/PAL); 4MP Lite/1080P /720P/WD1/D1@30fps (NTSC)/25fps (PAL) IP Channel: 30fps (NTSC) / 25fps (PAL) |
| Bit Rate | 32Kbps ~ 5Mbps |
| PLAYBACK | |
| Playback | 16 CH |
| Playback Search | Time slice / time / event / tag / smart search |
| Smart Search | Highlight colors to display the camera record in a certain period of time, different colors refer to different record events |
| Function | Play, pause, FF, FB, digital zoom, etc. |
| ALARM | |
| Alarm Input | 16 CH |
| Alarm Output | 8 CH |
| AI FUNCTION | |
| Smart Motion Detection Performance | No |
| Perimeter Protection Performance | No |
| STORAGE | |
| HDD Interface | SATA×8, up to 10TB per HDD |
| RAID Type | RAID 0, 1, 5, 6, 10 |
| BACKUP | |
| Network Backup | Yes |
| Local Backup | U disk, USB mobile HDD |
| NETWORK | |
| Interface | RJ 45 1000Mbps × 2 |
| Protocol | TCP / IP, HTTP, HTTPS, 802.1x, DHCP, DDNS, RTP, RTSP, RTCP, NTP, UPnP, SMTP, IPv6, UDP, WebSocket, PPPoE, SNMP, IGMP |
| Incoming Bandwidth | 48Mbps (max. 96Mbps) |
| Outgoing Bandwidth | 192 Mbps |
| Client Connection | Max. 20 users access |
| EXTERNAL INTERFACE | |
| RS-485 | Yes (full-duplex), connect to PTZ or keyboard |
| Remote Controller | Optional |
| USB | USB 2.0 × 2; USB 3.0 × 1 |

SPECIFICATIONS

| GENERAL | |
|---------------------|---|
| Power Supply | ATX-200W |
| Power Consumption | ≤ 50W (without HDD) |
| Working Environment | 14°F~122°F (-10°C~50°C) |
| Working Humidity | 10%~90% (humidity) |
| Certificate | CE, FCC |
| Dimensions | 17.52in x 17.17in x 3.54in (445mm x 436mm x 90mm) |

HDD OPTIONS

- 1TB HDD: AVR-NT832A-1T
- 2TB HDD: AVR-NT832A-2T
- 3TB HDD: AVR-NT832A-3T
- 4TB HDD: AVR-NT832A-4T
- 6TB HDD: AVR-NT832A-6T
- 8TB HDD: AVR-NT832A-8T
- 12TB HDD: AVR-NT832A-12T
- 18TB HDD: AVR-NT832A-18T